



Unit Model #: 37120902

Mower: Scag

Owner's Manual: Q0456

Mower Type: Freedom Z

Engine Type: KW FS691V-AS13

Deck Size: 52"

Vac Type: 9 Cu. Ft. Pro 2+ Bagger

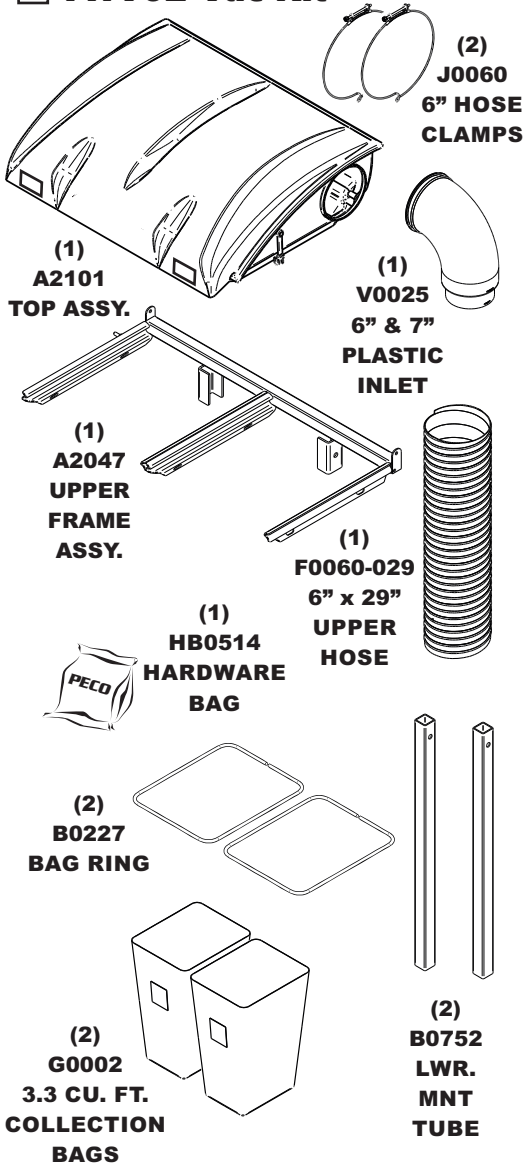
Deck Type:

Drive Type: PTO-R Drive (3-Blade)

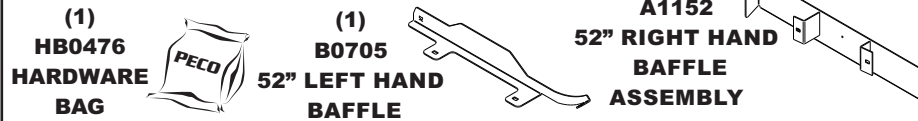
Revision #: 3 - MY & Weight Kit Update - 1/23/2018

Fits Year(s): 2010-Newer

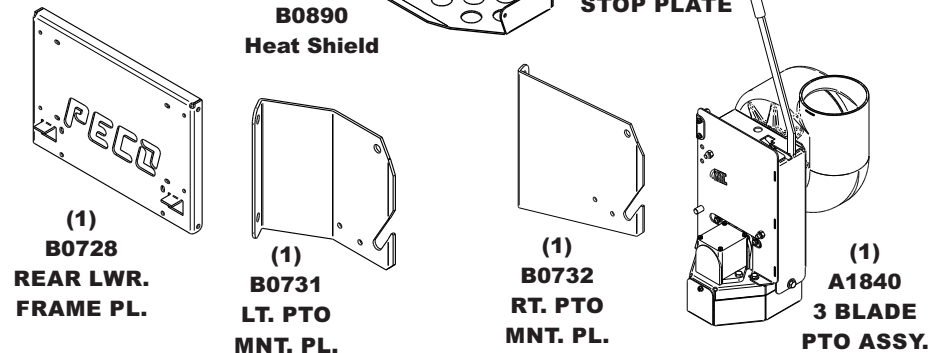
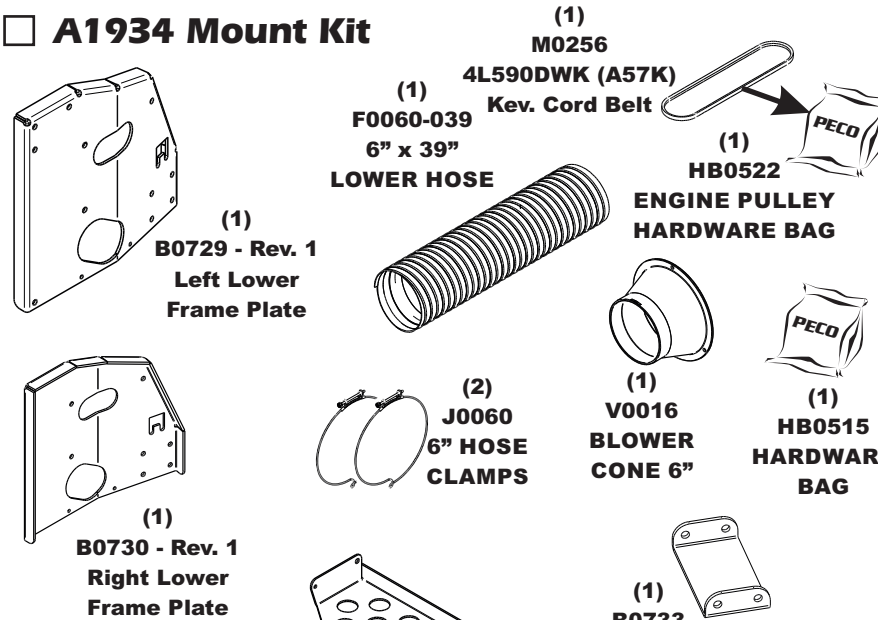
A1902 Vac Kit



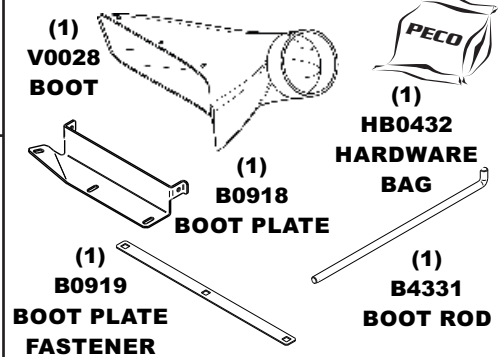
A1151 52" BAFFLE KIT



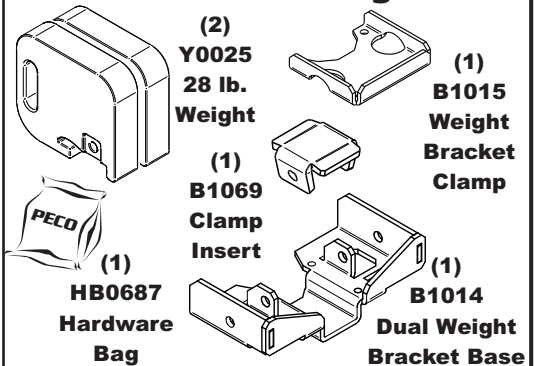
A1934 Mount Kit



A1796 Boot Kit



A2187 Dual Weight Kit



A2190 Weight Kit

