



# Unit Model #: 37120905

Mower: Scag

Owner's Manual: Q0531

Mower Type: Freedom Z

Engine Type:

Deck Size: 48"

Vac Type: 9 Cu. Ft. Pro 2+ Bagger

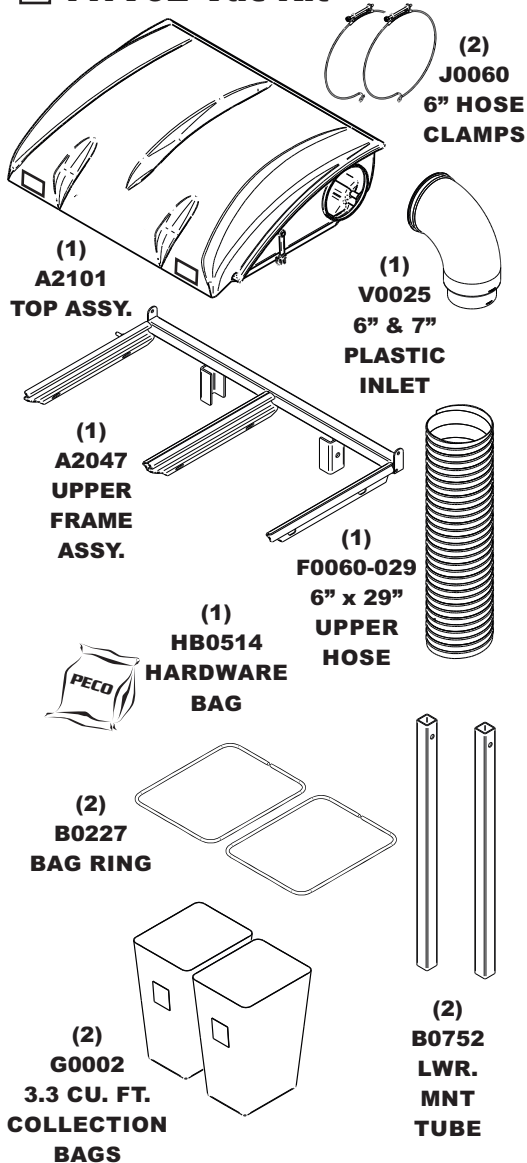
Deck Type:

Drive Type: PTO-C Drive

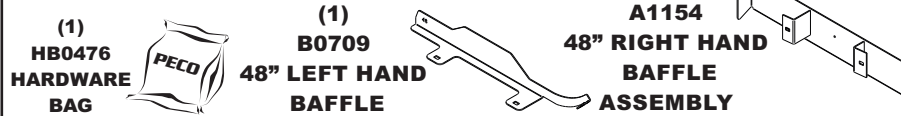
Revision #: 3 - MY & Weight Kit Update - 1/23/2018

Fits Year(s): 2010-Newer

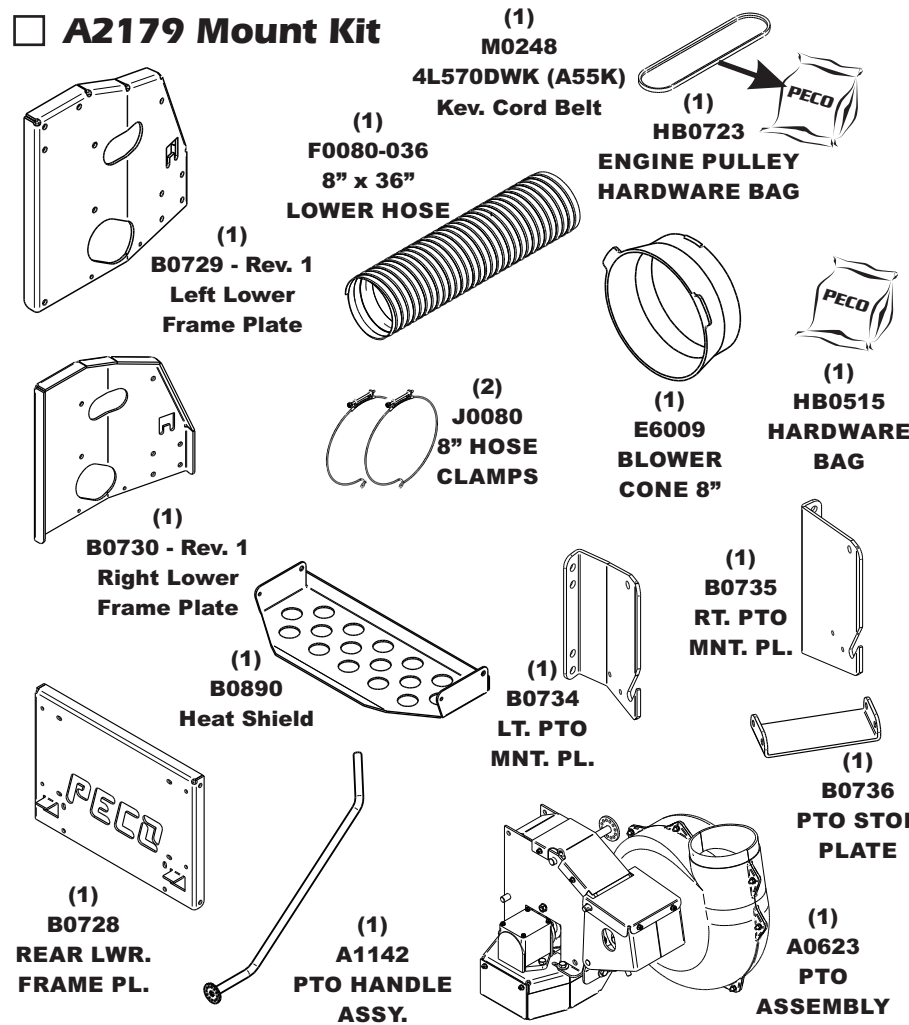
## A1902 Vac Kit



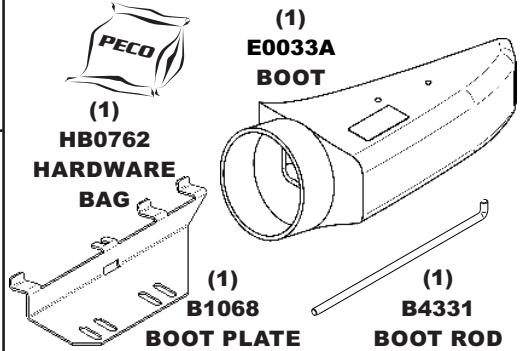
## A1153 48" BAFFLE KIT



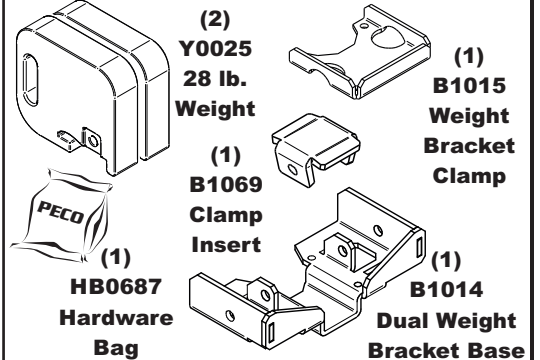
## A2179 Mount Kit



## A2191 Boot Kit



## A2187 Dual Weight Kit



## A2190 Weight Kit

