



**Unit Model #: 47131506**

**Mower:** Bush Hog

**Owner's Manual:** Q0526

**Mower Type:** HDC

**Deck Size:** 55" & 61"

**Vac Type:** P3B

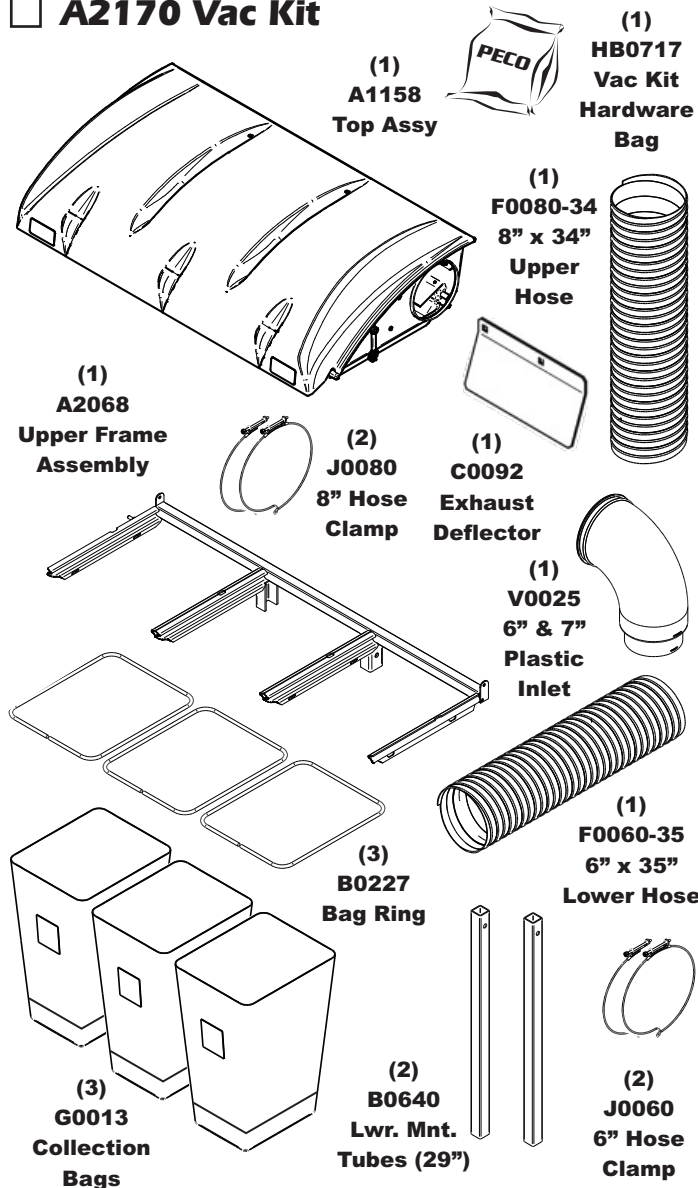
**Deck Type:**

**Drive Type:** PTO-X

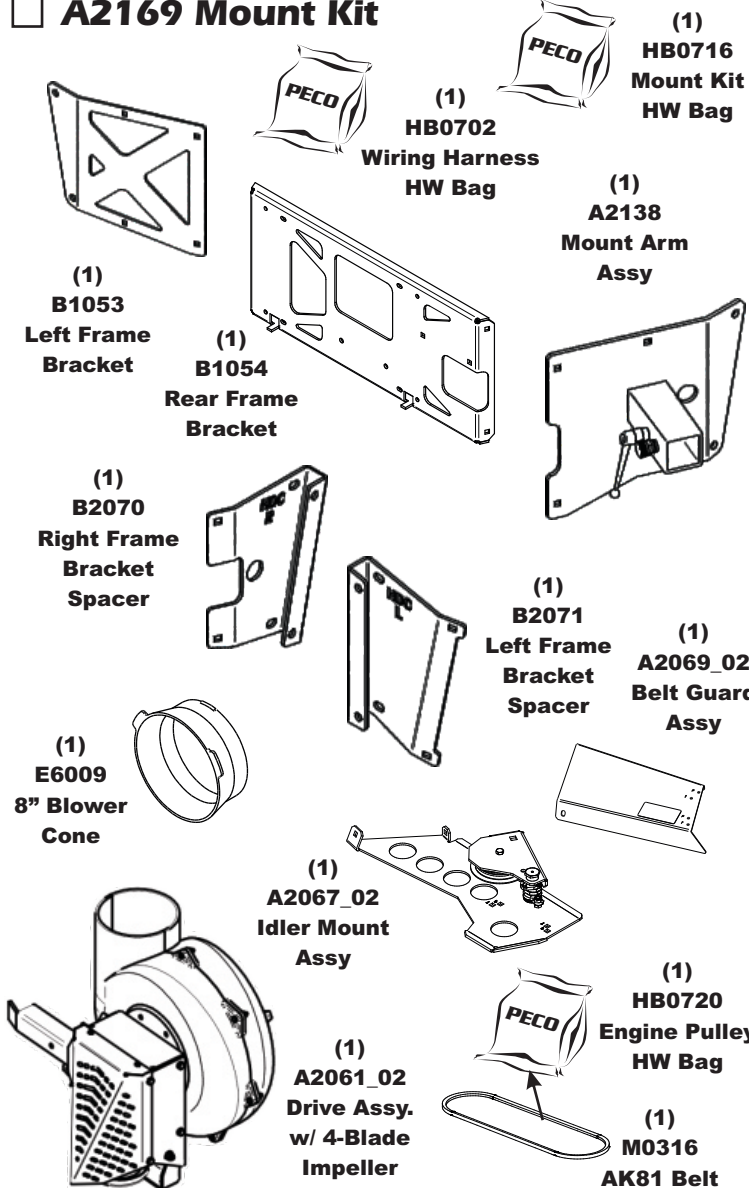
**Revision #:** 2 - Updated Mount Kit (May 2020)

**Fits Year(s):** 2018-Newer

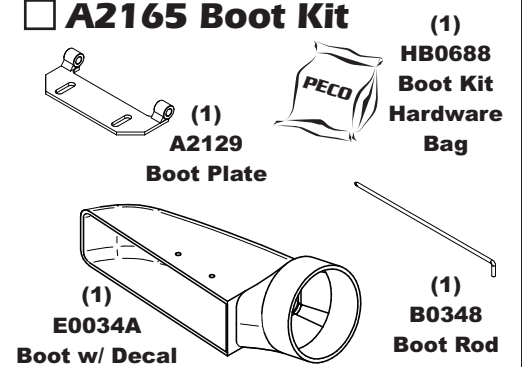
**A2170 Vac Kit**



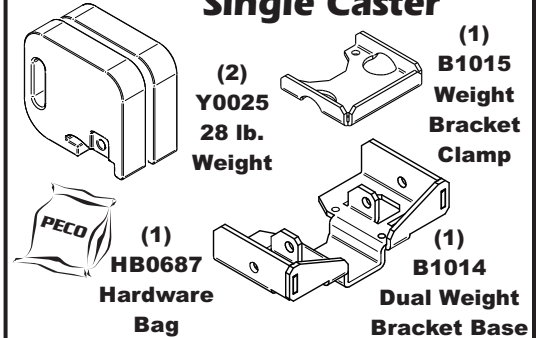
**A2169 Mount Kit**



**A2165 Boot Kit**



**A2121 Dual Weight Kit / Single Caster**



**A2121 Dual Weight Kit / Single Caster**

