



**Unit Model #: 49120901 (629GM-001A)**

**Mower:** Country Clipper

**Owner's Manual:** Q0468

**Mower Type:** Edge & Edge XLT

**Engine Type:** KW FR730V & FS651V - KH 27HP

**Deck Size:** 48" & 52"

**Vac Type:**

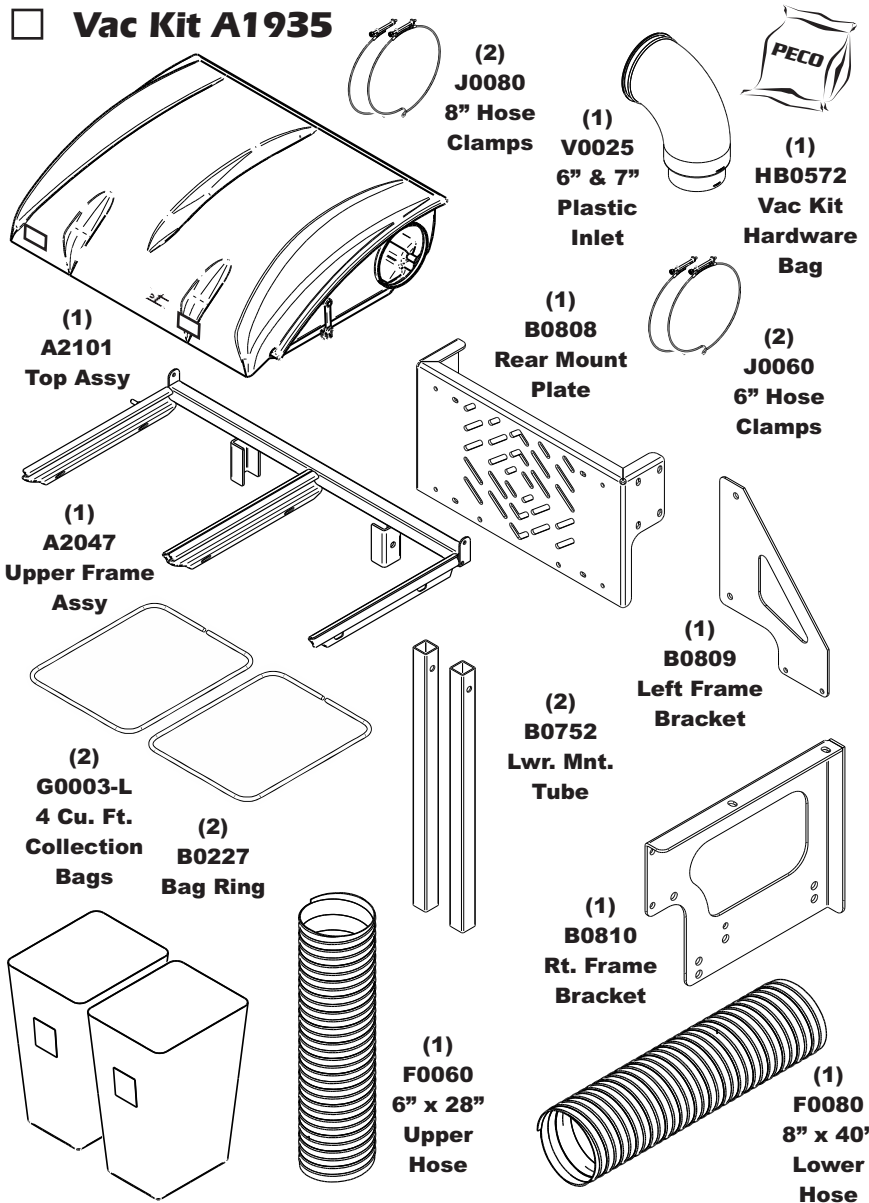
**Deck Type:**

**Drive Type:** PTO-R (3-Blade)

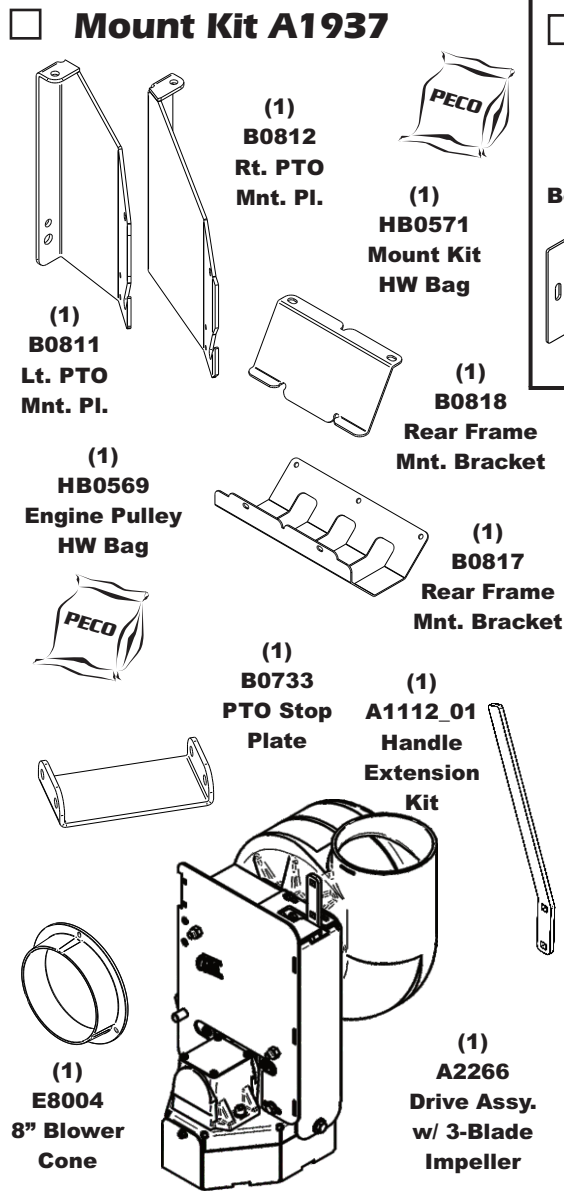
**Revision #:4** - Updated Mount Kit - 10/08/2019

**Fits Year(s):** 2013 - 2017

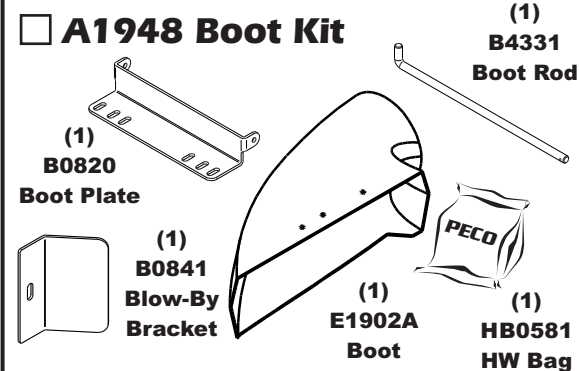
**Vac Kit A1935**



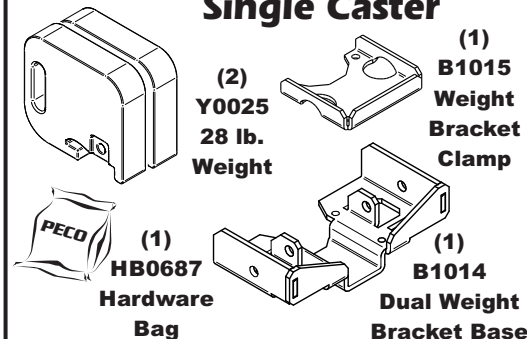
**Mount Kit A1937**



**A1948 Boot Kit**



**A2121 Dual Weight Kit / Single Caster**



**A2121 Dual Weight Kit / Single Caster**

