



Unit Model #: 49131505 (629JI-001A)

Mower: Country Clipper

Owner's Manual: Q0522

Mower Type: Challenger

Deck Size: 52" & 60"

Vac Type: P3B

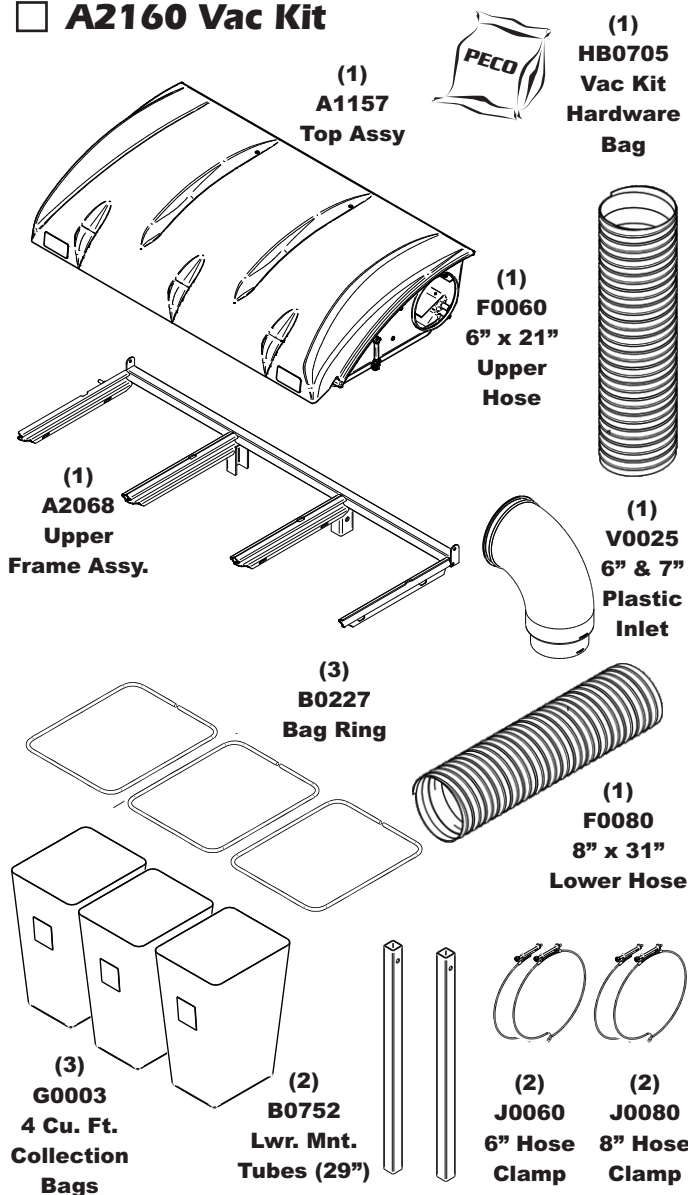
Deck Type:

Drive Type: PTO-C

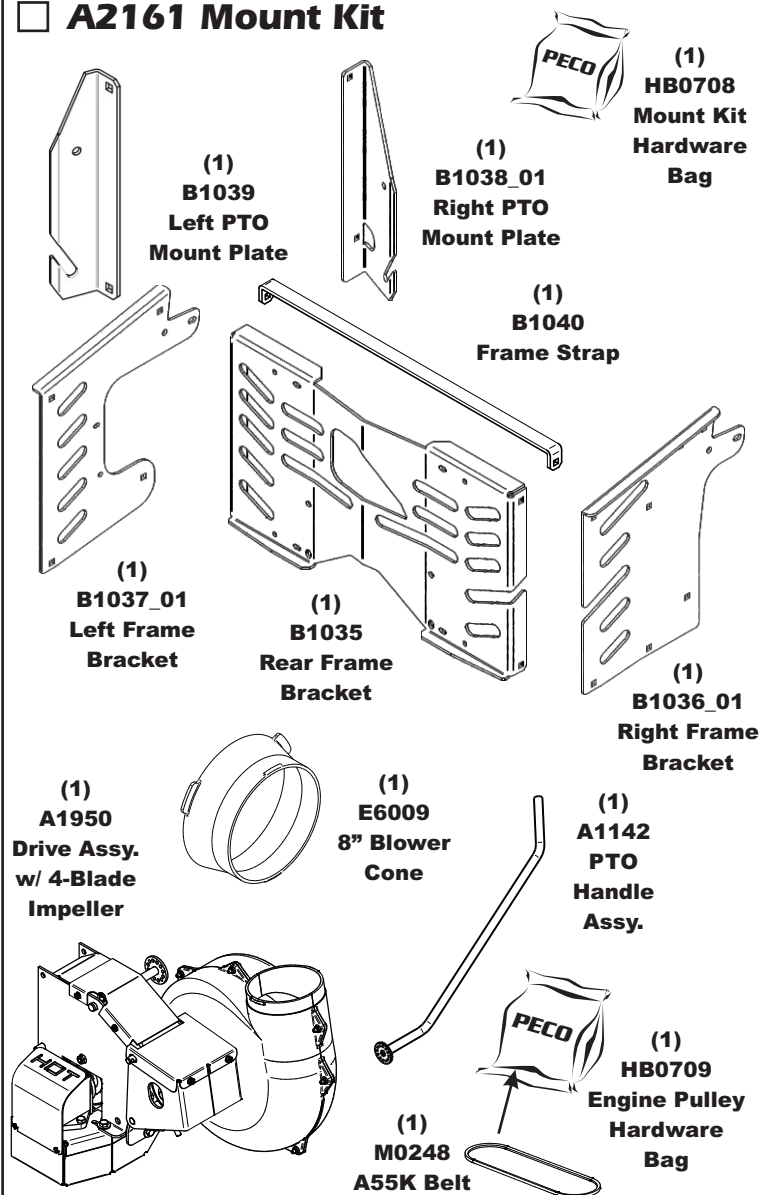
Revision #: 1 - Updated Mount Kit for 2023 (XY Sept 2022)

Fits Year(s): 2018-Newer

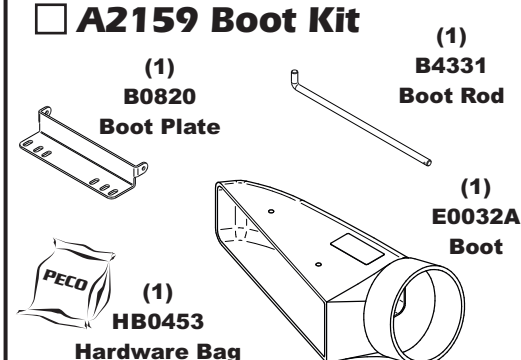
A2160 Vac Kit



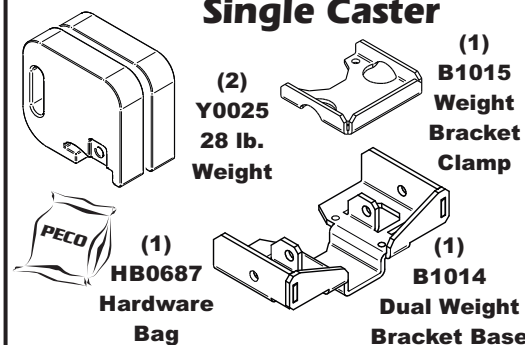
A2161 Mount Kit



A2159 Boot Kit



A2121 Dual Weight Kit / Single Caster



A2121 Dual Weight Kit / Single Caster

