



ENGINE DRIVEN GRASS COLLECTION SYSTEM

Model# 752202, 752207 & 752207-AM

PRO 22 DFS

Yanmar 7HP Diesel
752202

Briggs & Stratton 14HP Vanguard
752207 & 752207-AM



OPERATOR'S MANUAL

ASSEMBLY • OPERATION • MAINTENANCE

GRASS COLLECTION SYSTEM

TABLE OF CONTENTS

SECTION	PAGE	SECTION	PAGE
Safety	2	Length of Hose Adjustment	22
Safety Alert Symbols	3	Upper Hose Installation	22
Warranty	4	Lower Hose to Blower Cone Installation	22
I INTRODUCTION AND DESCRIPTION	5	Lower Hose to Boot Installation	22
Introduction	5	Impeller Blade Removal/Replacement	23
Description	5	Exploded Views & Parts List	24-31
II INSTALLATION FOR USE	6	Overall Parts List	32-34
Link Plates Assy & Installation	6	Safety Decals	35
Base Frame 3-Pt Hitch Installation	7	III OPERATING INSTRUCTIONS	36
Engine Mount Arm Assy Installation	8	General Safety	36
Engine / Blower / Blade Assy Installation	9	Operation & Tips On Mowing	36
Throttle Kit Assy & Installation	10-11	Disengagement Of The PTO Assembly	36
Wiring Kit Assy & Installation	12-13	Unloading The Collection System	36
Door Rod Pivot Assy & Installation	14-15	IV MAINTENANCE	36-37
Latch Handle Assy Installation	16	Maintenance Checklist	37
Latch Rod Assy & Installation	17	Lubrication	37
Inlet, Inlet Ring & Debris Deflector Installation	18	V PARTS AND SERVICE	37
Sight Glass Kit Installation	19	Parts And Service Information	37
Blower Cone Installation	20	Torque Specifications	38
Boot Kit Assembly & Installation	20-21	Troubleshooting	39

SAFETY

1. Read the operator's manual carefully and familiarize yourself with the proper use of your attachment. Do not allow anyone who is not acquainted with the Safety Instructions to use your attachment.
2. Know the controls and how to stop them quickly. READ THE OPERATOR'S MANUAL!
3. Do not allow children to operate the machine. Do not allow adults to operate it without proper instruction.
4. Be especially watchful of children and pets entering into the area while operating.
5. Keep your eyes and mind on your machine while mowing or operating your attachment. Don't let others distract you.
6. Do not attempt to operate your machine when not in the driver's seat.
7. Always shut off blades and engine when emptying the container.
8. Stop machine, shut off deck attachment, set parking brake, shut off engine and remove ignition key before removing clogs, removing or replacing hose, boot, blower cone, or performing any maintenance.
9. Mow across the face of slopes (not more than 10 degrees); never up and down the face.
10. It is recommended that the container be emptied when half full while operating on slopes. Start mowing on slopes when the container is empty.
11. Inspect your lawn and remove any foreign objects before mowing. Never deliberately run the mower across any foreign object.
12. Wear hearing protection.
13. Wear eye protection to prevent debris from getting into your eyes.

SAFETY

WARNING! NEVER operate the mower unless the discharge guard and either the deflector assembly or the vacuum collector adapter are fastened securely in place.

WARNING! Do not work around the mower deck boot or the blower area until you are certain that the mower blades and the blower impeller have stopped rotating.

WARNING! To avoid serious injury, perform maintenance on the vacuum collector; **ONLY AFTER STOPPING THE MOWER'S ENGINE AND WAITING FOR ALL MOVING PARTS TO COME TO A COMPLETE STOP.** Set the parking brake. Always remove the ignition key before beginning maintenance.

WARNING! For your own personal safety, **ALWAYS mow ACROSS the face of slopes and NEVER UP and DOWN the face. NEVER attempt to mow excessively steep slopes, and use caution when turning on any slope.**

Safety Alert Symbol



This Safety Alert Symbol means: **“ATTENTION! BECOME ALERT! YOUR SAFETY IS INVOLVED!”**

This symbol is used to call attention to safety precautions that should be followed by the operator to avoid accidents. When you see this symbol, carefully read the message that follows and heed its advice. Failure to comply with safety precautions could result in death or serious bodily injury.

Safety Signs

The signal words **DANGER**, **WARNING**, and **CAUTION** are used on the equipment safety signs. These words are intended to alert the viewer to the existence and the degree of hazard seriousness.



White letters on **RED**

This signal word indicates a potentially hazardous situation which, if not avoided, will result in death or serious injury.



Black letters on **ORANGE**

This signal word indicates a potentially hazardous situation which, if not avoided, could result in death or serious injury.

It may also be used to alert against unsafe practices.



Black letters on **YELLOW**

This signal word indicates a potentially hazardous situation which, if not avoided, will result in minor or moderate injury.

It may also be used to alert against unsafe practices.

PECO LIMITED WARRANTY FOR NEW PRODUCTS

New PECO, Inc. extends the following warranties to the ORIGINAL PURCHASER of each New PECO, Inc. consumer product purchased from one of our Dealers or directly from New PECO, Inc., subject to the following limitations:

A. ITEMS COVERED UNDER WARRANTY

1. **PRODUCT WARRANTY** – Any part or parts which are deemed defective in material or workmanship, as delivered to the original purchaser, will either be repaired or replaced, as New PECO, Inc. elects, without charge for parts or labor, if the defect appears within 12 months from the date of purchase of the product to the Original Purchaser.
2. **PARTS REPLACED DURING WARRANTY** – Any New PECO, Inc. part which is furnished in performance of this warranty and is defective in material or workmanship as delivered to the purchaser will be repaired or replaced, as New PECO, Inc. elects, before the expiration of the original warranty period.

B. WARRANTY DISTINCTIONS

1. **RESIDENTIAL** - Products put to a personal use around a single household or residence are considered Residential. Products designated as “Residential” are warranted for 12 months from the date of purchase of the product, to the ORIGINAL PURCHASER with proof of purchase, when used for or in residential applications.
2. **COMMERCIAL** – Products put to any business use (agricultural, commercial or industrial) or used at multiple locations are considered Commercial. Products designated as “Commercial” are warranted for 12 months from the date of purchase of the product, to the ORIGINAL PURCHASER with proof of purchase, when used for or in commercial applications. Products designated as “Residential” are warranted for 90 days from the date of purchase of the product, to the ORIGINAL PURCHASER with proof of purchase, when used for or in Commercial applications.
3. **RENTAL** – Products used for Rental or Lease Purposes are warranted for 45 days from date of purchase of the product, to the ORIGINAL PURCHASER with proof of purchase, when used for or in a rental business.

C. ITEMS NOT COVERED BY NEW PECO WARRANTY

1. **ENGINES & BATTERIES:** Engines and Batteries attached to New PECO, Inc. products are covered under their respective separate manufacturer warranties and those companies must be contacted directly to file a warranty claim. Briggs & Stratton: https://www.briggsandstratton.com/na/en_us/support/warranty.html
2. **UNAPPROVED ALTERATION OR MODIFICATION:** All obligations of New PECO, Inc. under this warranty shall be terminated if products are altered or modified in any way not approved by New PECO, Inc.
3. **ACCIDENTS & NORMAL MAINTENANCE:** This warranty covers ONLY manufacturers defective material and workmanship. It does not cover depreciation or damage caused by normal wear & tear, accident, improper maintenance, misuse or abuse of products. New PECO, Inc. products must be operated and maintained in accordance with the instructions furnished in the manuals. The cost of normal maintenance and normal replacement of service items such as belts, cutting blades, hoses, bags, etc., which are not defective shall be paid for by the purchaser.
4. **NO SERVICE CENTER WARRANTY:** The selling Service Center/Dealer makes no warranty on his own on any item warranted by New PECO, Inc. unless he delivers to purchaser a separate written warranty certificate specifically warranting the item. The Service Center or Dealer has no authority to make any representation or promise on behalf of New PECO, Inc. or to modify the terms of the original warranty in any way.
5. **NO REPRESENTATIONS ADDITIONAL WARRANTIES, DISCLAIMER:** Neither New PECO, Inc. nor any company affiliated with New PECO, Inc. makes any warranties, representations or promises as to the quality of performance of its products other than those set forth herein. Except as described above, New PECO, Inc. makes no other warranties **AND SPECIFICALLY DISCLAIMS ANY AND ALL IMPLIED WARRANTIES OF FITNESS AND MERCHANTABILITY.**
6. **REMEDIED EXCLUSIVE:** The only remedies the purchaser has in connection with the breach or performance of any warranty on New PECO, Inc. consumer products are set forth above. In no event will New PECO, Inc. be liable for special incidental or consequential damages.

Warranty service is available through your local authorized service dealer or distributor. If you do not know the dealer or distributor in your area, search by your zip code on www.lawnvac.com or contact our Sales Department at New PECO, Inc. 800-438-5823 or email Sales@lawnvac.com.

Section I - INTRODUCTION AND DESCRIPTION

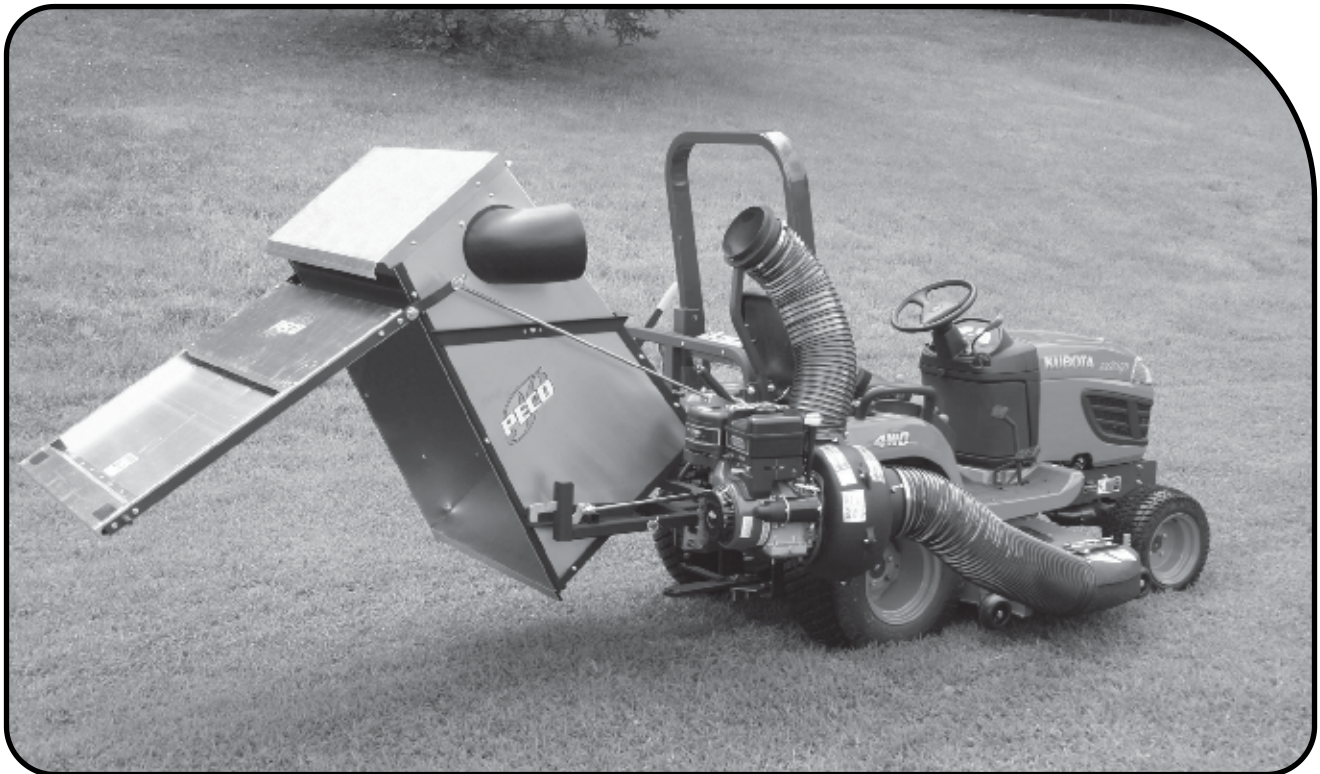
Introduction

We are pleased to have you as a PECO customer. Your collection system has been designed to give you a low maintenance, simple, and effective way to collect the grass clippings from your mower. The manuals are provided to give you the necessary instructions to properly mount, operate and maintain the collection system on your mower. Please read this manual thoroughly. Understand what each control is for and how to use it. Observe all safety decal precautions on the machine and noted throughout the manual.

NOTE: All references made to right, left, front, rear, top or bottom are as viewed from the normal operator's position on the mower.

Description

The grass collection system is designed for turf maintenance where there is a need to collect the grass clippings as the mower cuts the turf. It is also used for picking up leaves in pre-season and post-season clean-up. The engine/blower/blade assembly, is mounted on the right side of the unit. The blower draws grass clippings from the discharge area of the cutter deck up and back to the aluminum container mounted to a three-point hitch at the rear of the mower. The operator can engage the engine/blower/blade assembly by starting the engine. Once the container is full of clippings, the operator can easily pull and raise the lift handle. Using the lift handle, the operator releases the rear door, the container pivots towards the ground, and the clippings are dumped.



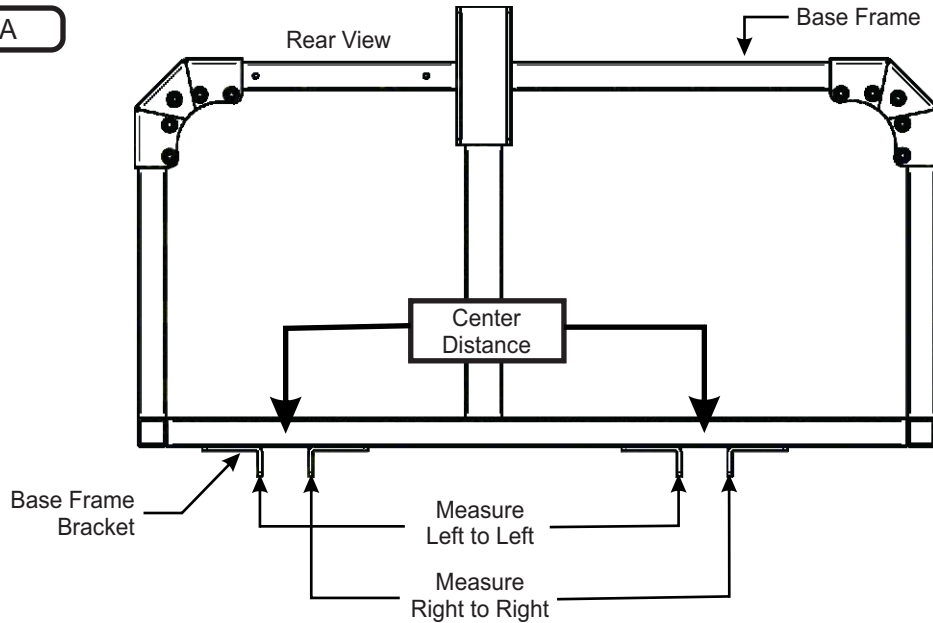
Section II - INSTALLATION FOR USE

Link Plates Assembly & Installation

To accommodate the Grass Collection System, adjust the lower lift arms of the three-point hitch. Viewing from the rear, measure either from the left to left of the Base Frame Brackets or the right to right of the Base Frame Brackets to find the center of distance. Refer to Figure A. Adjust the three-point hitch lower lift arms to the measured distance.

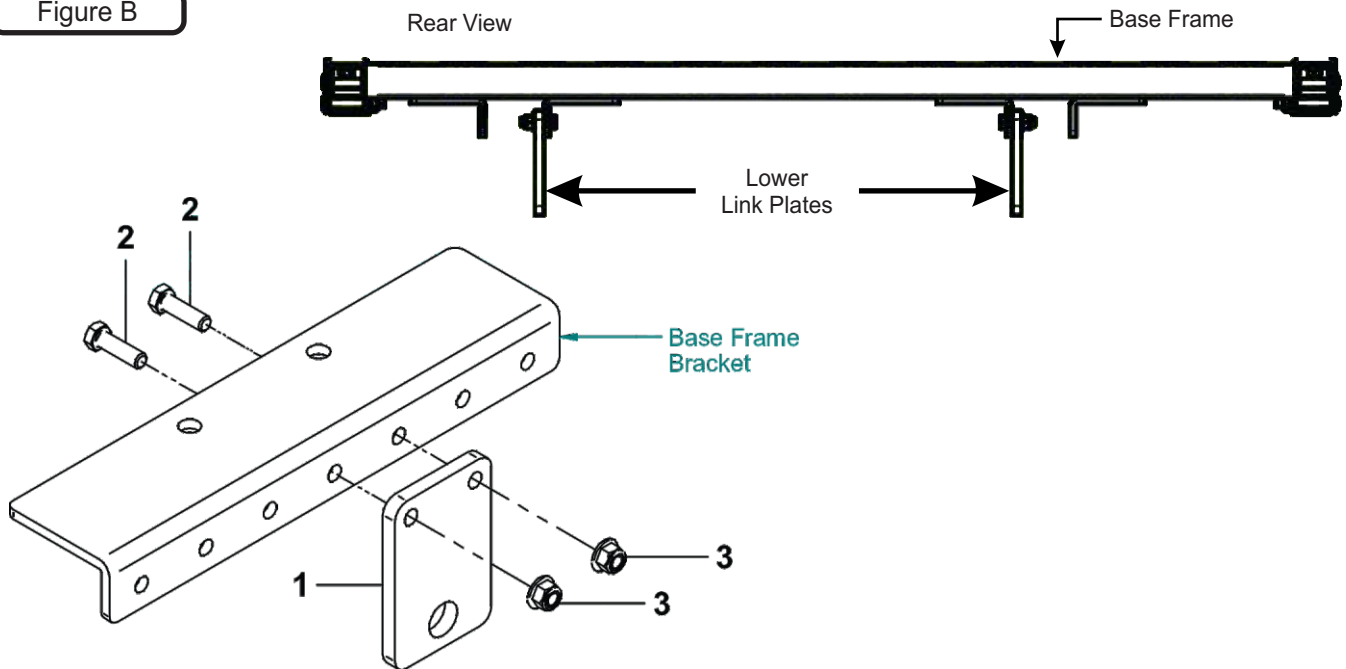
Note: Some part features have been hidden from view for visual clarity.

Figure A



Align the holes of the Lower Link Plates (Item #1) to the second set of holes from the rear of the Base Frame Bracket. Refer to Figure B. Secure the Lower Link Plates with (2) 3/8"-16 x 1-1/4" Hex Bolts (Item #2) and (2) 3/8"-16 Flange Nuts (Item #3) per Link Plate.

Figure B



Item #	Part #	Desc.	Qty.
1	B1180	Lower Link Plate	1
2	K1192	HHCS 3/8"-16 x 1-1/4" GR5	2
3	K2038	Ny-Flange Lock Nut 3/8"-16	2

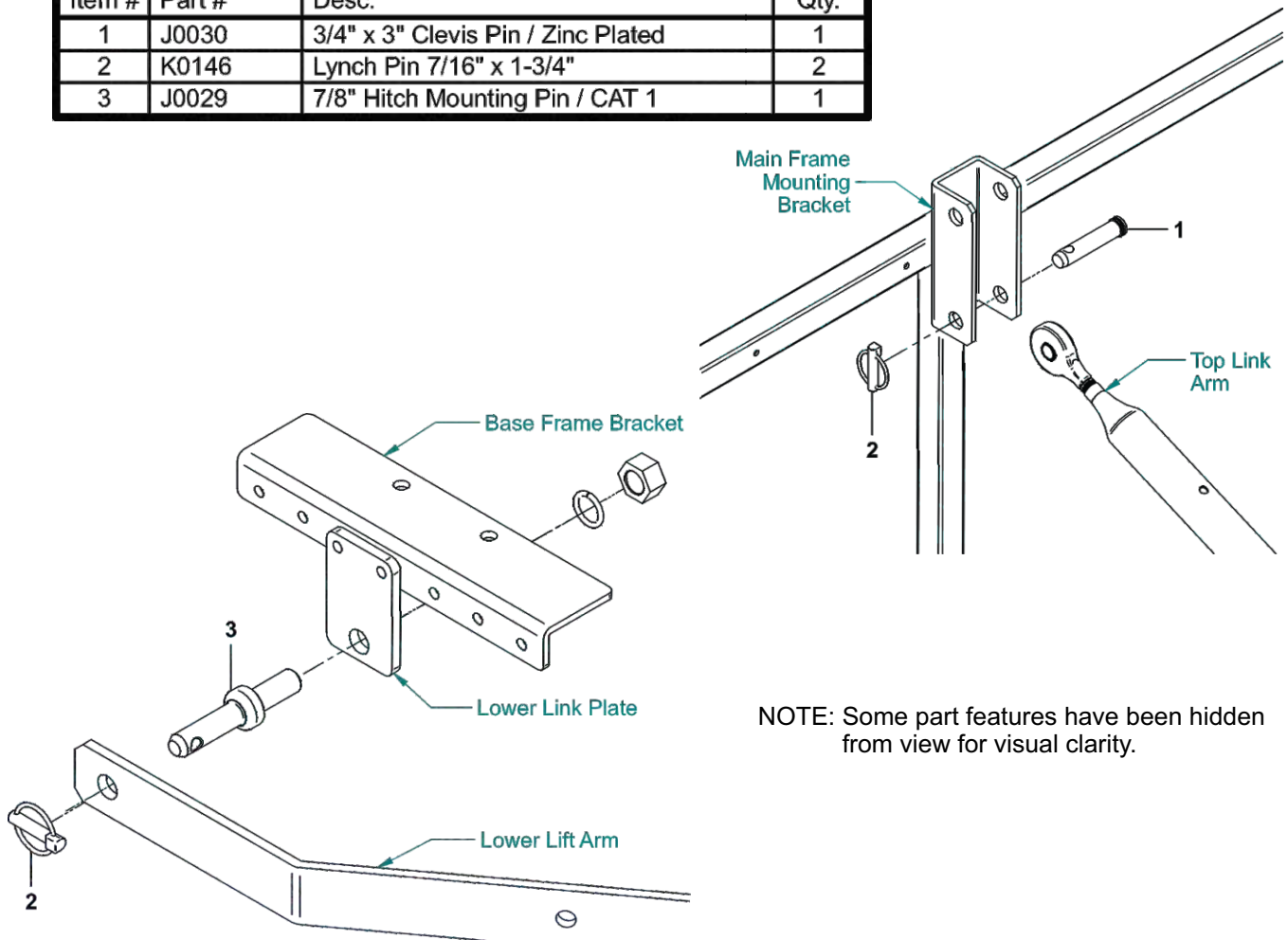
Base Frame 3-Pt Hitch Installation

Raise the Box and Main Frame Assembly until the Mounting Bracket of the Main Frame Assembly aligns with the top link arm. Secure the top link hitch socket using (1) 3/4" x 3" Clevis Pin (Item #1) and (1) 7/16" x 1-3/4" Lynch Pin (Item #2). Refer to Figure A.

Align the lower lift arm to the outside of the Lower Link Plates and secure the lower lift arm by using (1) 7/8" Hitch Mounting Pin (Item #3) and (1) 7/16" x 1-3/4" Lynch Pin (Item #2) per lower lift arm. Refer to Figure A.

Figure A

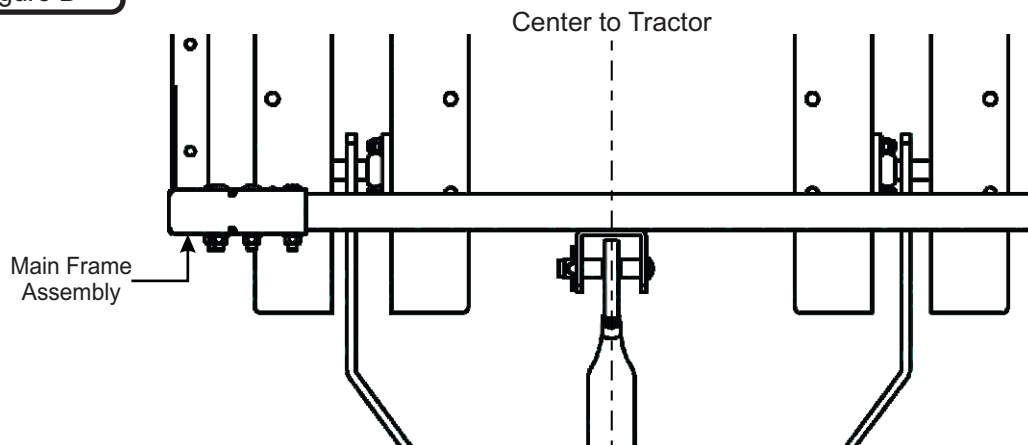
Item #	Part #	Desc.	Qty.
1	J0030	3/4" x 3" Clevis Pin / Zinc Plated	1
2	K0146	Lynch Pin 7/16" x 1-3/4"	2
3	J0029	7/8" Hitch Mounting Pin / CAT 1	1



NOTE: Some part features have been hidden from view for visual clarity.

Check that the Main Frame Assembly is centered with the Top Link Arm and that the Top Link Arm is centered to the tractor. Refer to Figure B.

Figure B



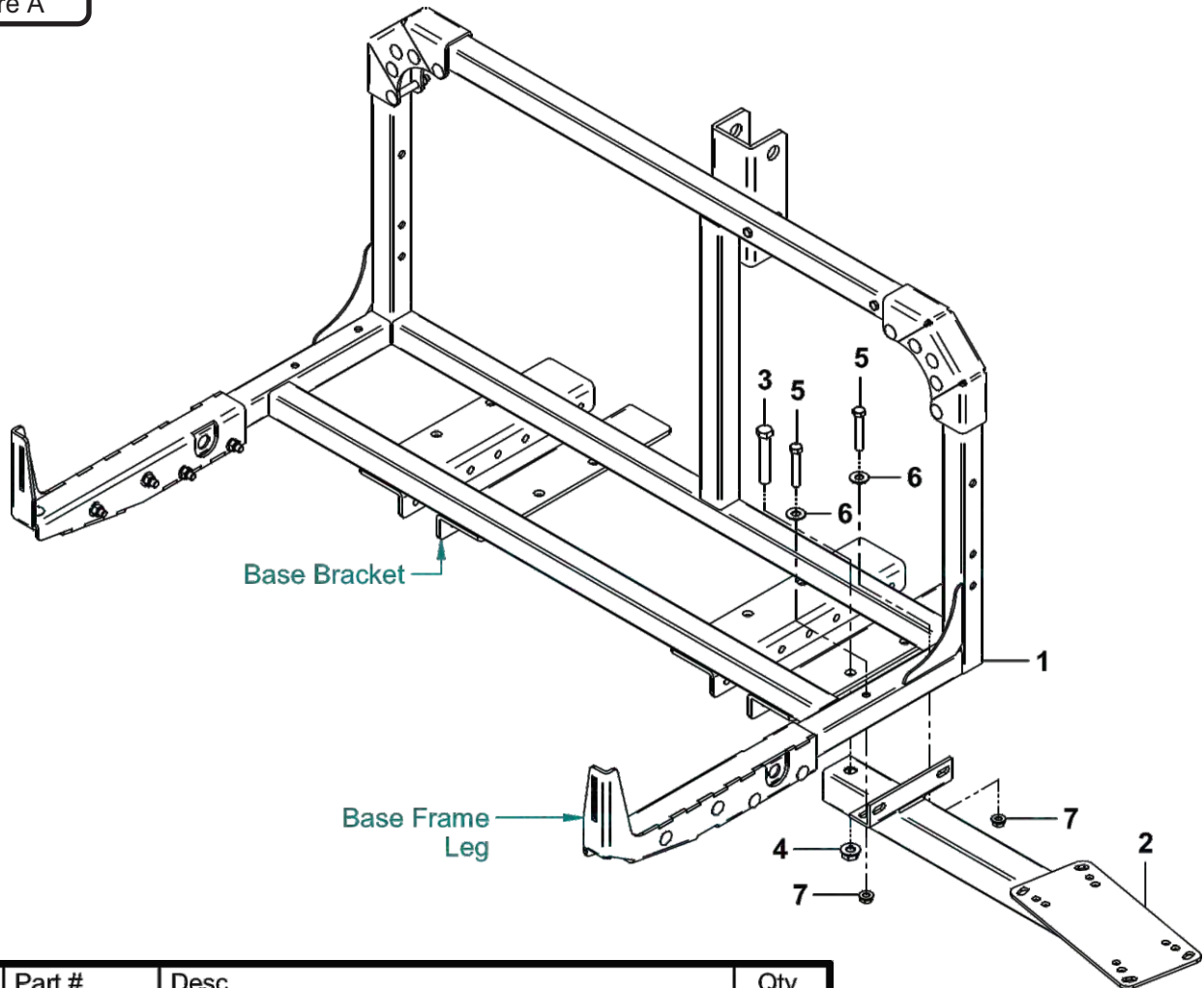
Engine Mount Arm Assembly Installation

Place the Engine Mount Arm Assembly (Item #2) up under the Right side of the Base Frame (Item #1). Align the hole of the Base Bracket to the hole on the Engine Mount Arm Assembly. Loosely secure using (1) 1/2"-13 x 3" HHCS (Item #3) and (1) 1/2"-13 Flange Nut (Item #4). Refer to Figure A below.

Align the holes on the Base Frame Leg to the slots of the Engine Mount Arm Assembly. Secure relatively loose using (2) 3/8"-16 x 2-1/4" HHCS (Item #5), (2) 3/8" Flat Washers (Item #6) and (2) 3/8"-16 Flange Nut (Item #7). Once secured, tighten all hardware at this time. Refer to Figure A below.

Note: Some parts and part features have been hidden from view for visual clarity.

Figure A



Item #	Part #	Desc.	Qty.
1	A2236	Base Frame / Pro 22DFS	1
2	A0232	Engine Mnt Arm Assy	1
3	K1236	1/2"-13 x 3" HHCS	1
4	K1246	Flange Nut 1/2"-13	1
5	K1196	3/8"-16 x 2 1/4" HHCS	2
6	K0047	Flat Washer 3/8" / 1.00 OD x .446 ID x .075 T	2
7	K1215	Flange Nut 3/8"-16	2

Engine/ Blower/ Blade Assembly Installation

First position and place (2) Rubber Shock Absorbers (Item #3) on top of the Engine Mount Arm Assembly (Item #2).

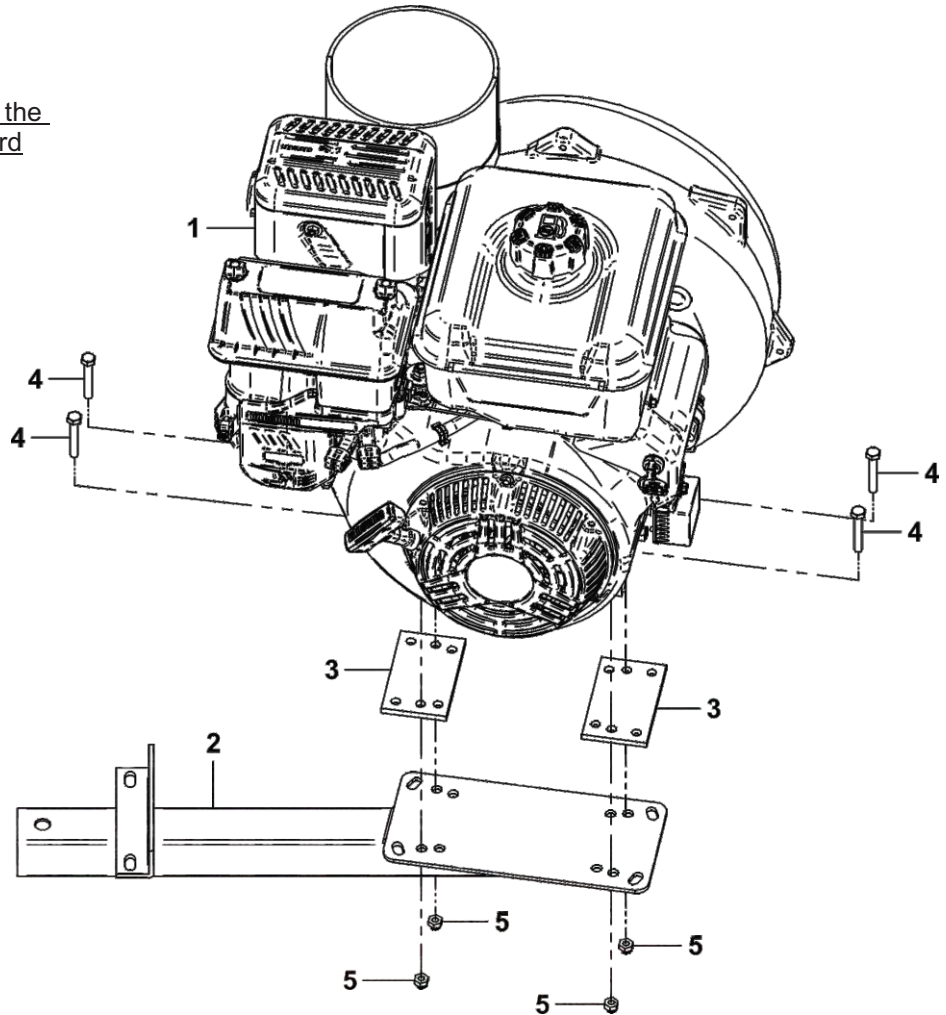
Next, Position the Engine Drive Assembly (Item #1) on top of the Rubber Shock Absorbers with the Blower facing towards the front of the tractor. Then, secure the Engine Drive Assy by using (4) 5/16"-18 x 1-3/4" HHCS GR5 (Item #4) and (4) 5/16"-18 Nyloc Nuts (Item #5). Refer to Figure A.

Be sure to torque the bolts to the specified torque listed at the end of this manual.

Note: Some parts and part features have been hidden from view for visual clarity.

Figure A

Engine Drive Assy shown is the
A640 - 14HP B&S Vanguard



Item #	Part #	Desc.	Qty.
1	A640	B&S 14HP Vanguard Engine/Blower/Blade Assy	1
2	A0232	Engine Mnt Arm Assy	1
3	V1090	Rubber Shock Absorber	2
4	K1159	5/16"-18 x 2" All Thread HHCS	4
5	K1180	5/16"-18 Nyloc Nut	4

Throttle Kit Assembly Installation

To install the Throttle Cable Assembly (Item #2), locate the mounting slots on the Switch Plate of the Throttle Cable Assembly, refer to Figure A.

Align the mounting slots of the Switch Plate to the holes located on the Upper Crossbar - Base Frame Assembly. Secure the Switch Plate using (2) 1/4"-20 x 2-1/4" HHCS (Item #2) and (2) 1/4"-20 Flange Nut (Item #3) Refer to Figure B.

Note: Some parts and part features have been hidden from view for visual clarity.

Figure A

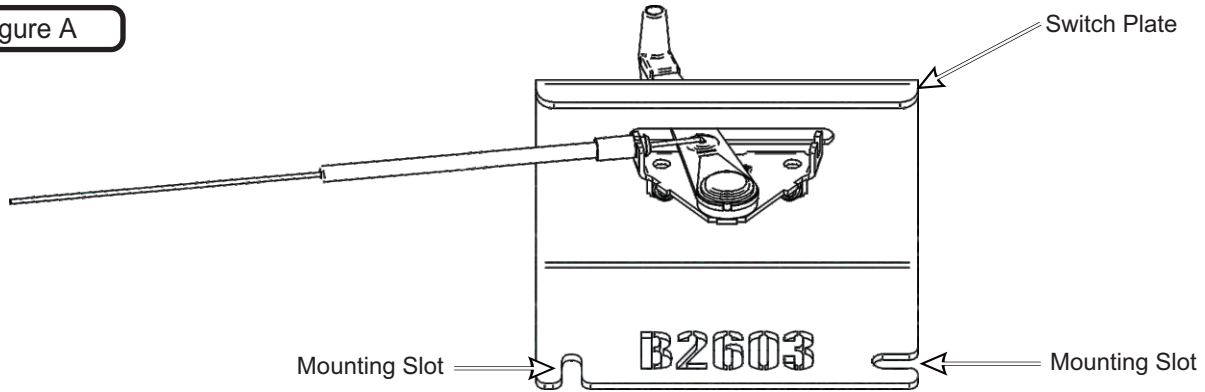
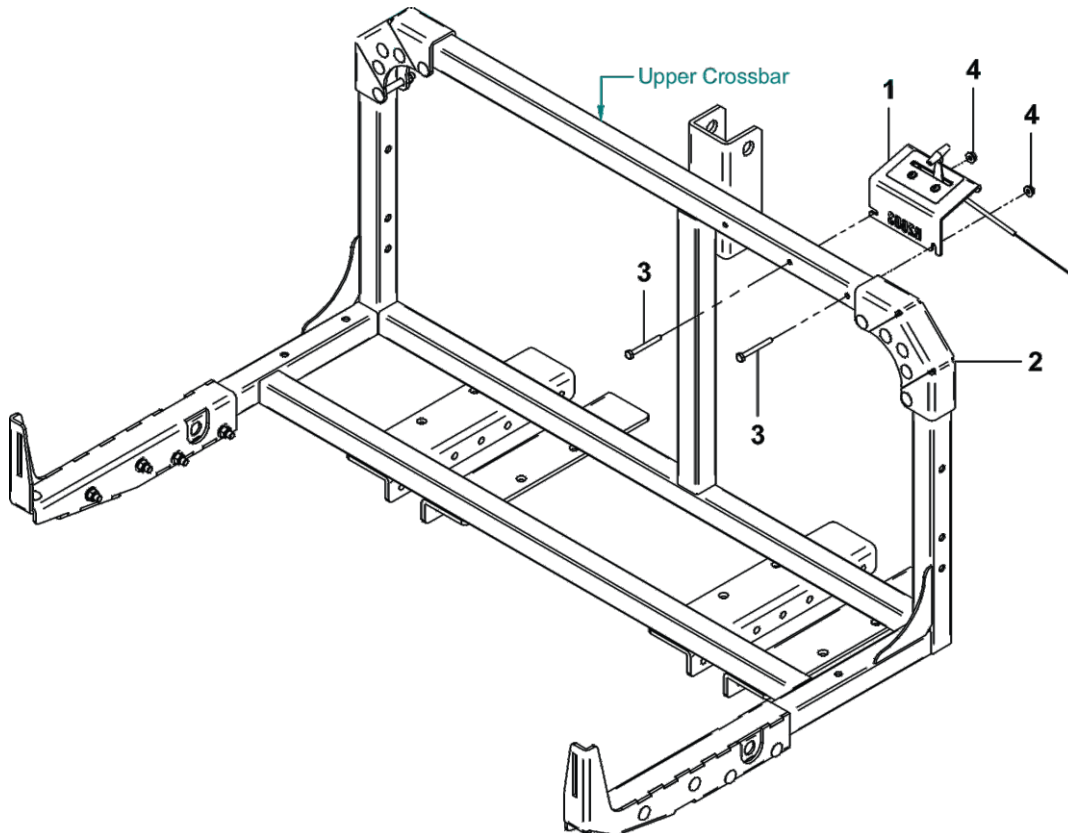


Figure B

Item #	Part #	Desc.	Qty.
1	A2408	Throttle Cable Assy / 3Pt-Hitch / B&S 14HP	1
2	A2236	Base Frame / Pro 22DFS	1
3	K1150	HHCS / 1/4"-20 x 2-1/4"	2
4	K1126	Flange Nut 1/4"-20	2



Throttle Kit Assembly Installation (Continued)

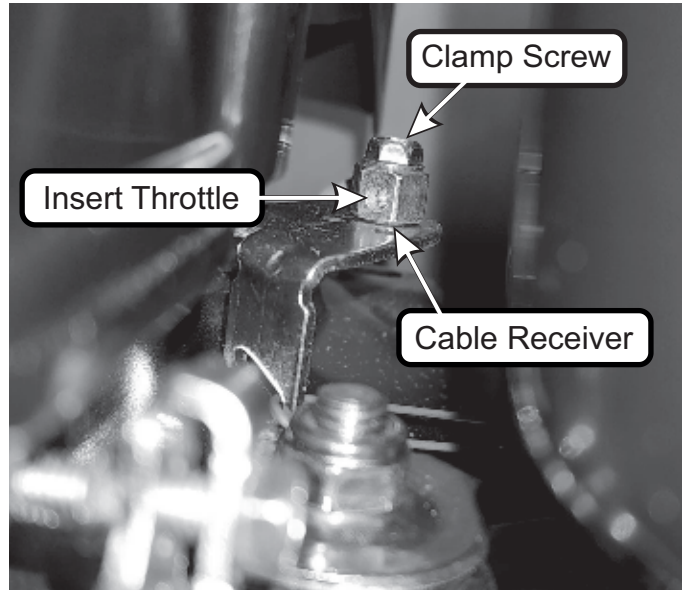
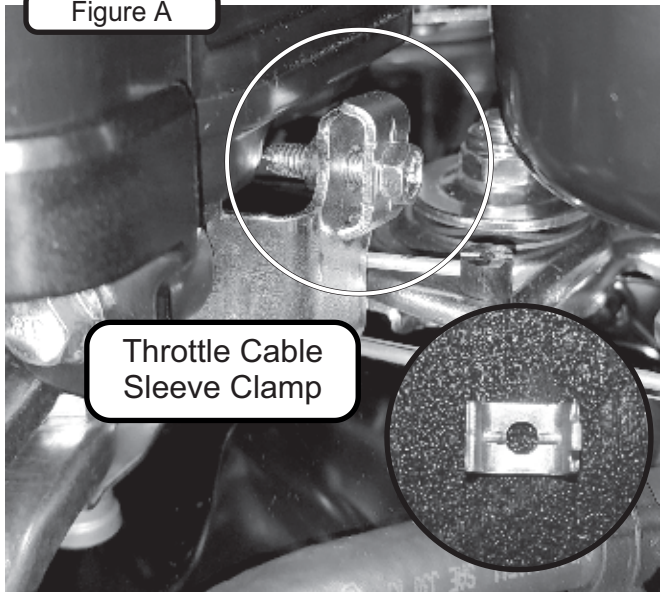
For B&S 14HP Vanguard

To fasten the throttle cable end to the engine, locate the throttle cable guide and receiver on the inside of the engine. Refer to Figure B below.

Remove the clamp screw on the throttle cable receiver. Insert the throttle cable in through the top side of the throttle cable guide down into the hole located on top of the throttle cable receiver. Replace the clamp screw and tighten. Refer to Figure B below.

Rotate the throttle control lever to check for proper installation.

Figure A



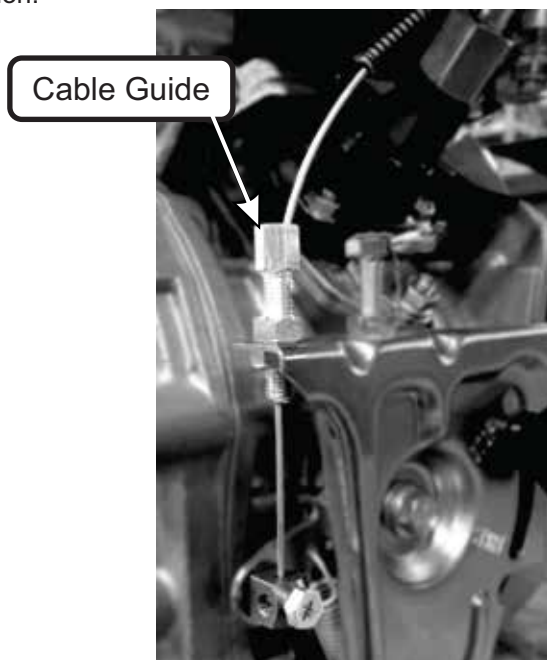
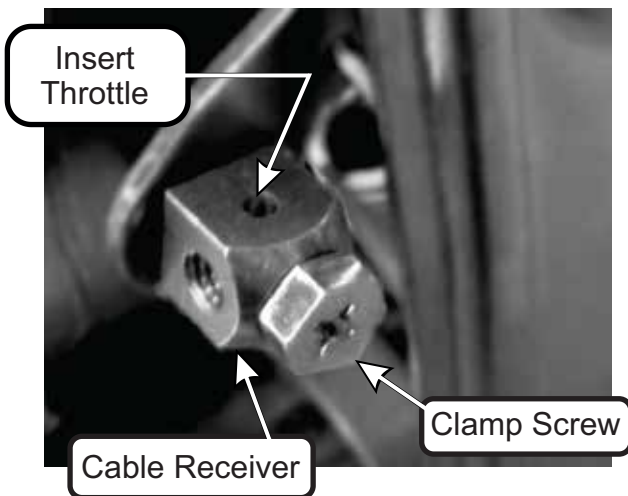
For Yanmar 7HP

To fasten the throttle cable end to the engine, locate the throttle cable guide and receiver on the front of the engine. Refer to Figure B below.

Remove the clamp screw on the throttle cable receiver. Insert the throttle cable in through the top side of the throttle cable guide down into the hole located on top of the throttle cable receiver. Replace the clamp screw and tighten. Refer to Figure B below.

Rotate the throttle control lever to check for proper installation.

Figure B



Wiring Kit Assembly Installation

To connect the Wiring Kit (P#A2152), connect the 4 gage Red Wire (P#P0620) to the positive (+) terminal of the starter solenoid on the engine. Route the Red Wire from the solenoid to the positive (+) terminal of the battery.

Connect the 4 gage Black Wire (P#P0621) to one of the mounting bolt holes located on the bottom of the engine. Route the black wire from the bolt hole to the negative (-) terminal of the battery.

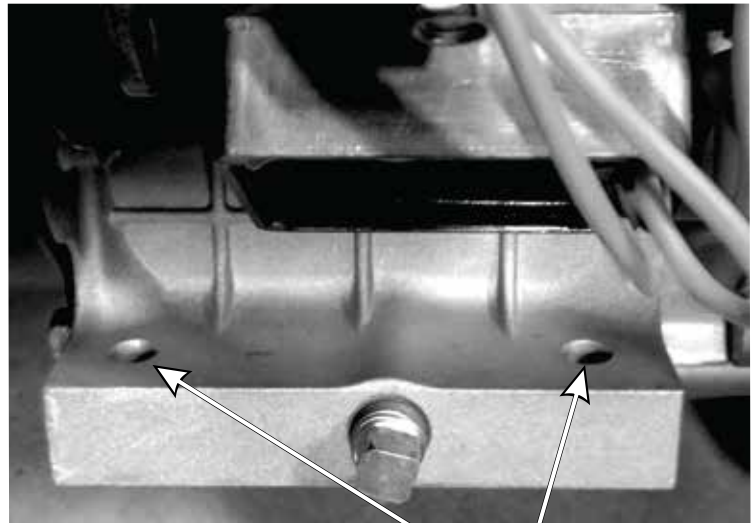
Refer to the Figures below for your respective engine.

Once the wires are properly routed, test start the engine. If working properly, secure the wiring with the provided Zip Ties (P#J0245).

10HP Vanguard

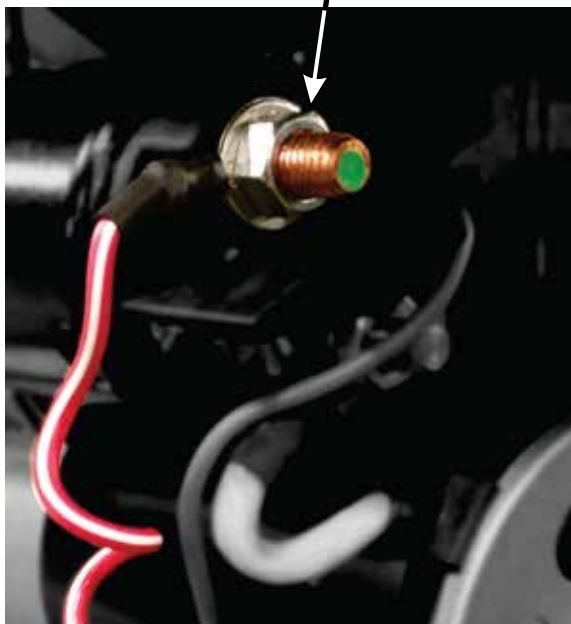


Positive (+) Terminal
Connection (Solenoid)

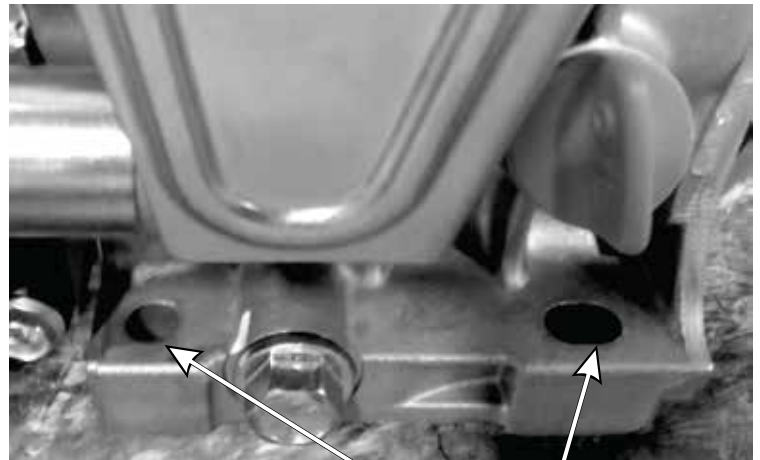


Negative (-) Terminal
Connection
(Engine Block)

7HP Yanmar



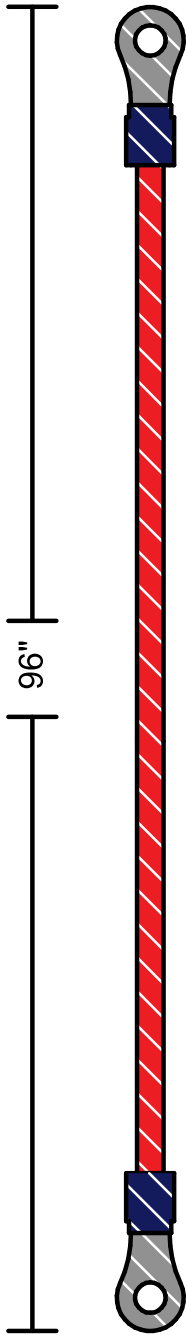
Positive



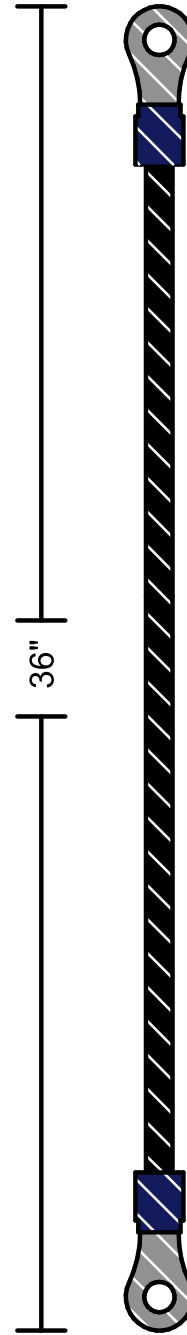
Negative (-) Terminal
Connection
(Engine Block)

Wiring Kit Assembly Installation (Continued)

Figure B



HARNESS #:P0620
RED (4 AWG) w/ 5/16" RING TERMINAL
FROM BATTERY POSITIVE "+" TO STARTER SOLENOID "+"



HARNESS #:P0621
BLACK (8 AWG)
FROM ENGINE BLOCK "-" TO NEGATIVE STARTER SOLENOID "-"

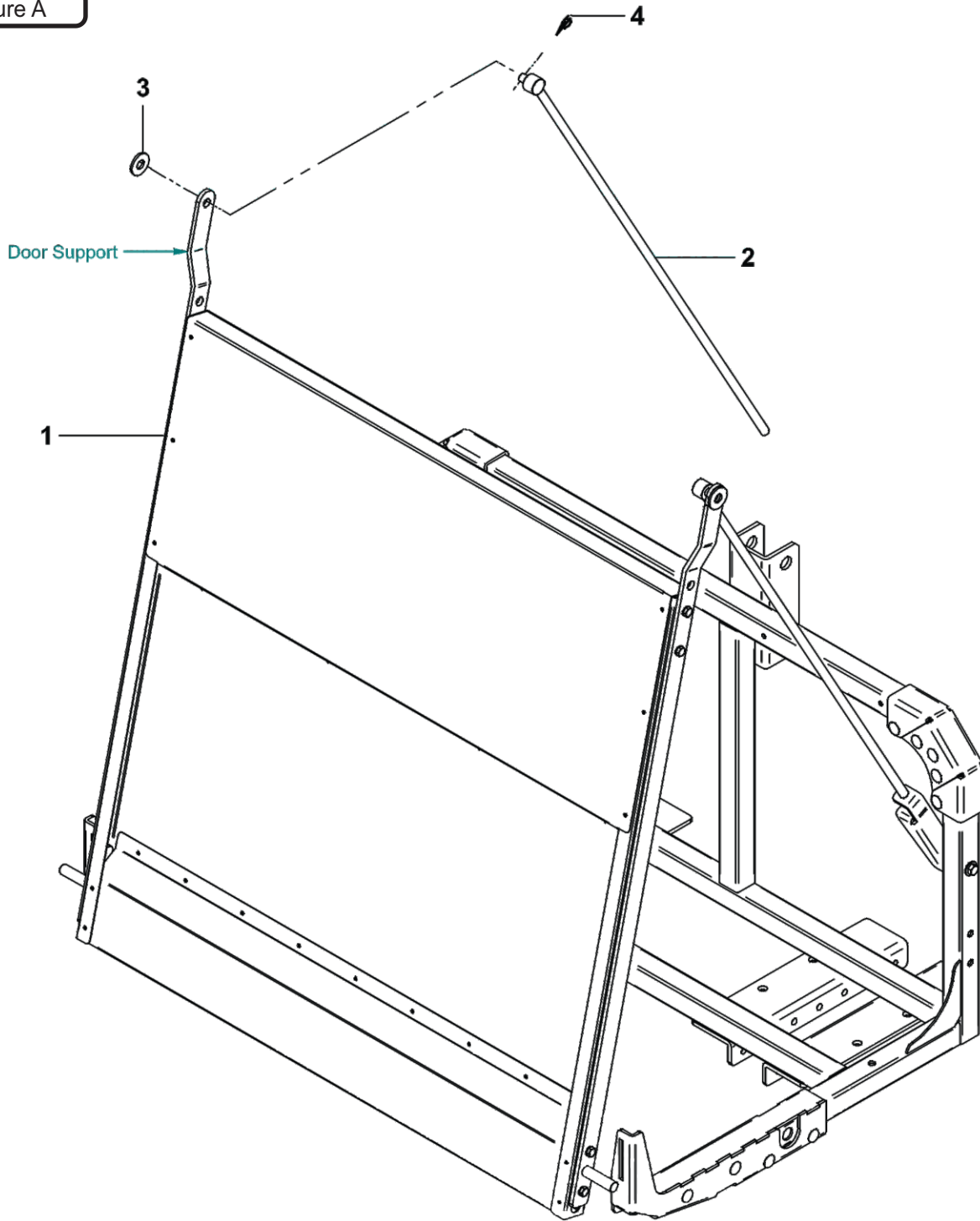
P#:P0076
5/16" BATTERY RING TERMINAL

Door Rod Pivot Assembly & Installation

Install the Door Rod Assembly (Item #2) to the Door Assembly (Item #1) by inserting the top end of the Door Rod Assy into the hole of the Door Support of the Door Assy. Secure the Door Rod Assy by using (1) Rue Ring Cotter Pin (Item #3) and (1) 1/2" Flat Washer (Item #4) per Door Rod Assy. Refer to Figure A below.

NOTE: Some part features have been hidden from view for visual clarity.

Figure A



Item #	Part #	Desc.	Qty.
1	A0191	Door Assembly	1
2	A0476	Door Rod Assy.	2
3	K0055	Flat Washer 1/2" / 1.383 OD x .560 ID x .120 T	2
4	K1437	Rue Ring Cotter Pin	2

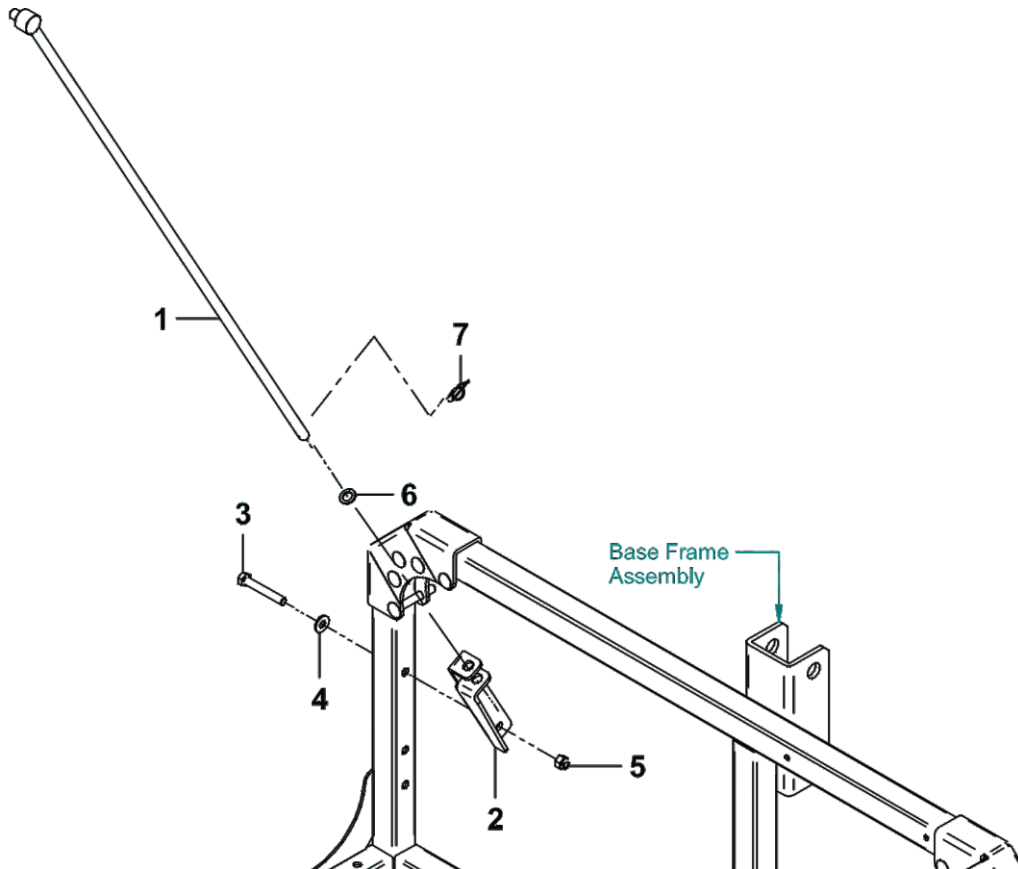
Door Rod Pivot Assembly & Installation (Continued)

Next, assemble the Door Rod Pivot to the Base Frame Assembly by placing the straight end of the Door Rod Assembly (Item #1) through the Door Rod Pivot (Item #2). Secure each Door Rod Assy to the Door Rod Pivot with (1) 1/8" Hair Pin Clip (Item #6) and (1) 1/2" Flat Washer (Item #7). Refer to B.

Align the bolt holes of the Door Rod Pivot to the holes on the Base Frame Assy and secure the Door Rod Pivot by using (1) 3/8" x 2-1/2" HHCS (Item #3), (1) 3/8" Flat Washer (Item #4) and (1) 3/8"-16 Nyloc Nut (Item #5). Refer to Figure B below.

NOTE: Some features have been hidden from view for visual clarity.

Figure B



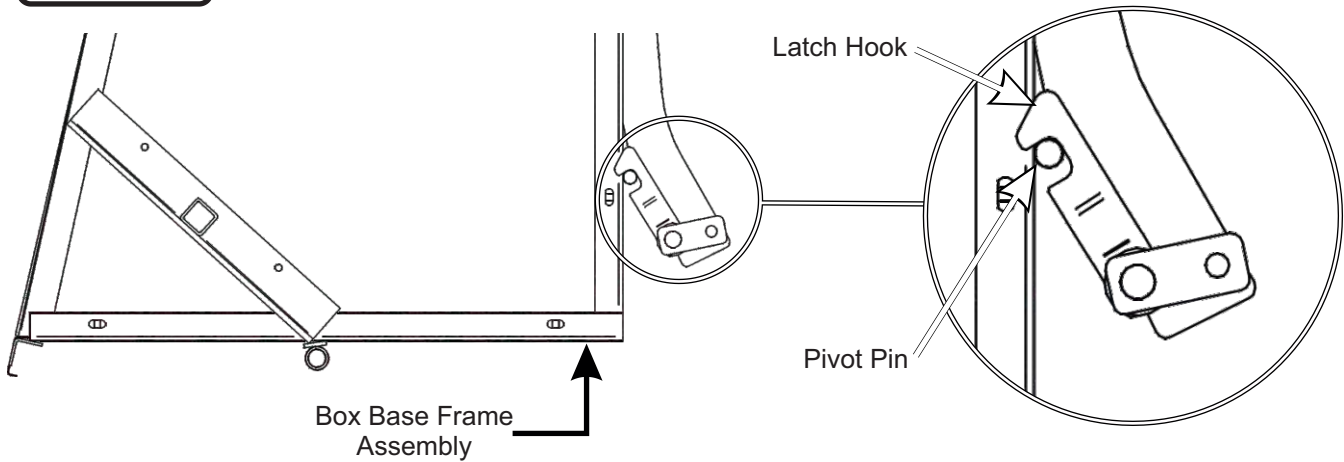
Item #	Part #	Desc.	Qty.
1	A0476	Door Rod Assy.	1
2	B1931	Linkage Bracket Right	1
3	K1197	3/8"-16 X 2 1/2" HHCS	1
4	K0042	Flat Washer 5/16" / .875 OD x .380 ID x .075 T	1
5	K1216	Nyloc Nut / 3/8"-16	1
6	K0027	Flat Washer 1/2" / .787 OD x .512 ID x .090 T	1
7	K1437	Rue Ring Cotter Pin	1

Latch Handle Assembly Installation

Align and set the Latch Hook of the Latch Assembly (Item #2) to the Pivot Pin of the Box Base Frame Assembly. Refer to Figure A.

Note: Some part features have been hidden from view for visual clarity.

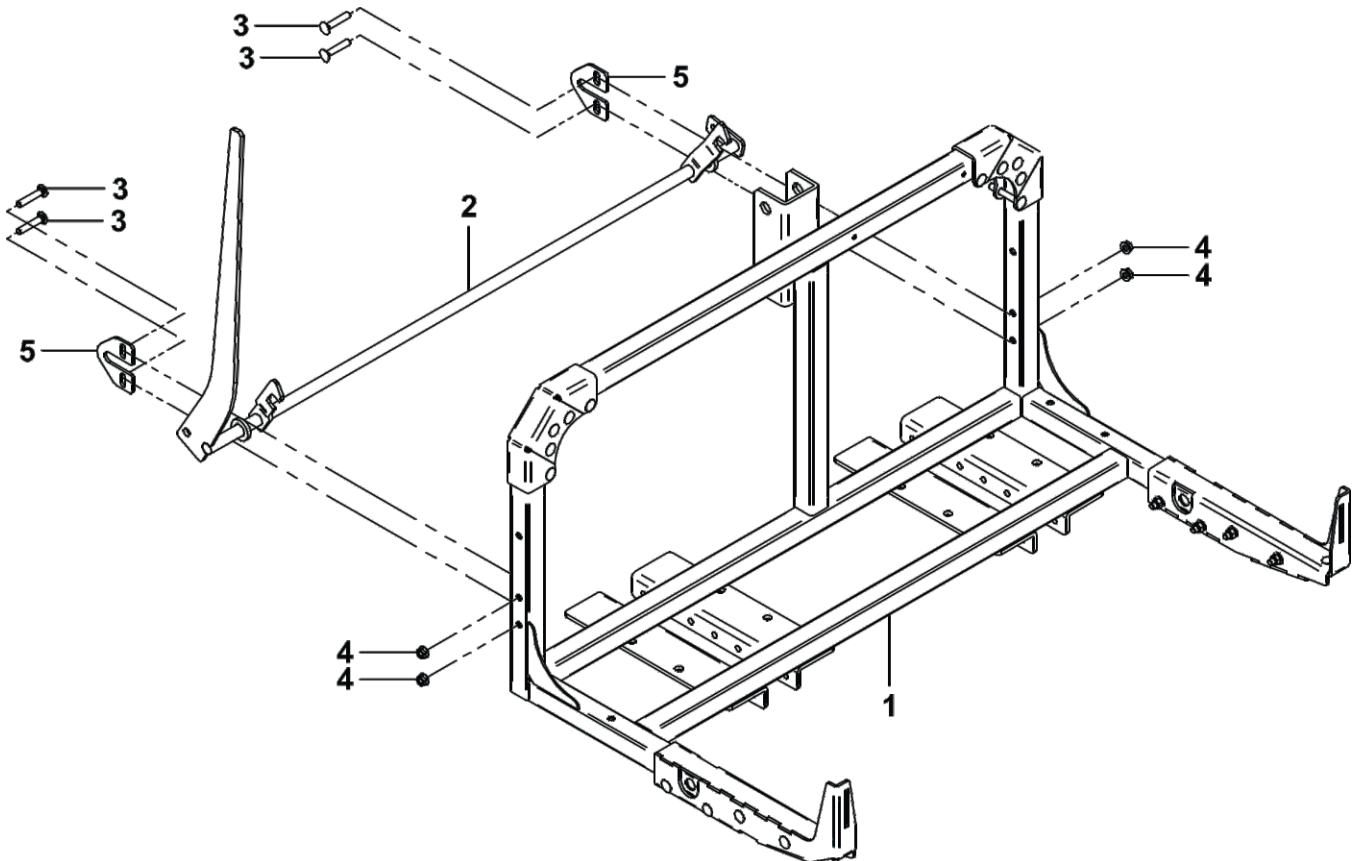
Figure A



Secure the Latch Assy to the Base Frame (Item #1) by positioning the Latch Assembly between (2) Latch Clamps (Item #5) on the left and right side of the Base Frame. Fasten the Latch Clamp to the Base Frame Assy by using (2) 3/8"-16 x 2" Carriage Bolts (Item #3) and (2) 3/8"-16 Flange Nuts (Item #4) per side. Refer to Figure B.

Figure B

Item #	Part #	Desc.	Qty.
1	A2236	Base Frame / Pro 22DFS	1
2	A0492	Latch Assembly	1
3	K1184	Carriage Bolt 3/8"-16 x 2"	4
4	K1215	Flange Nut 3/8"-16	4
5	B1172	Latch Clamp	2



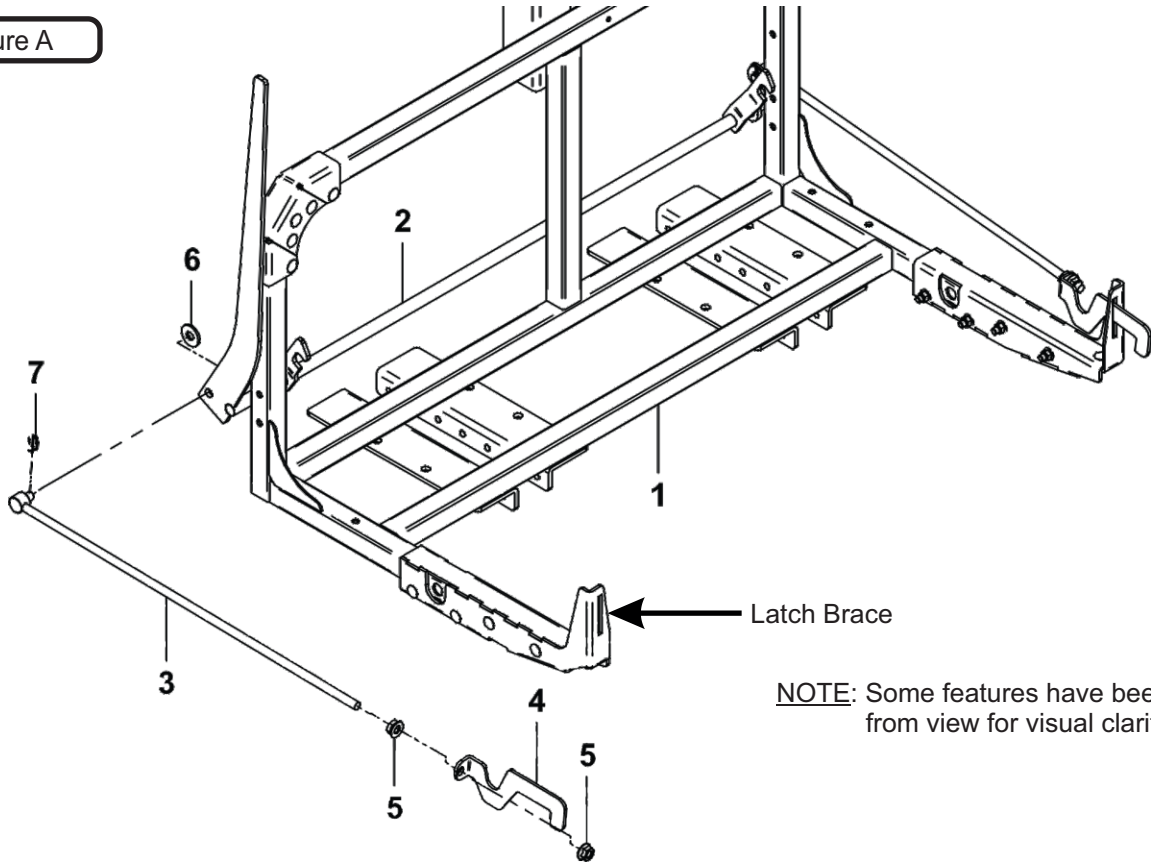
Latch Rod Assembly & Installation

Align and position the Latch Rod Assembly (Item #3) into the Handle of the Latch Assembly (Item #2). Secure the Latch Rod Assy by using (1) Rue Ring Cotter Pin (Item #7) and (1) 1/2" Flat Washer (Item #6).

Next, position the Latch Release Lever through the of the Base Frame Assembly (Item #1) and over the Latch Pin of the Door Assy. Secure the Latch Release Lever to the Latch Rod Assy by using (2) 1/2"-13 Flange Nuts (Item #5). Refer to Figures A and Figure B below.

Repeat the same procedures to the right side of the Base Frame Assy.

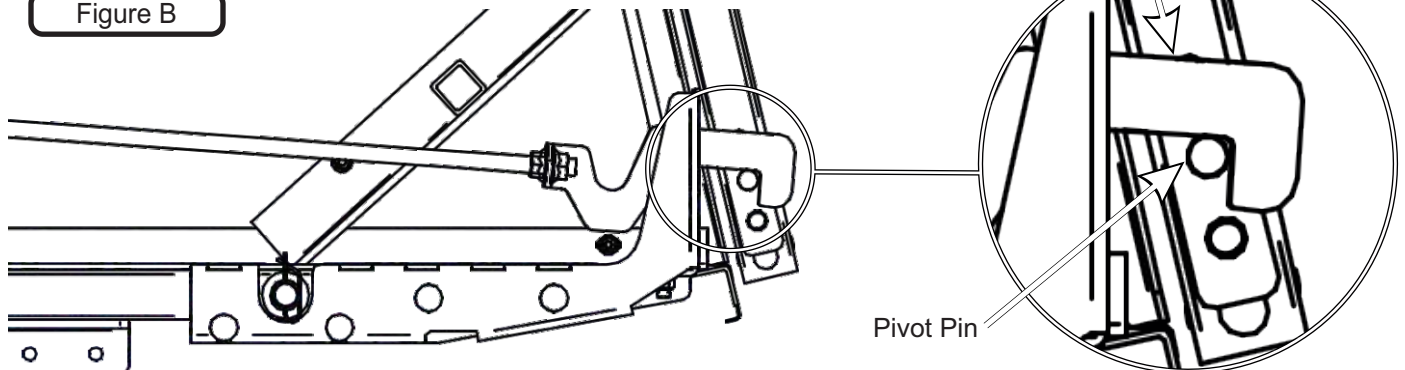
Figure A



NOTE: Some features have been hidden from view for visual clarity.

Item #	Part #	Desc.	Qty.
1	A2236	Base Frame / Pro 22DFS	1
2	A0492	Latch Assembly	1
3	A0366	Latch Rod Assembly	2
4	B1418	Latch Release Lever / Right	1
5	K1246	Flange Nut 1/2"-13	4
6	K0055	Flat Washer 1/2" / 1.383 OD x .560 ID x .120 T	4
7	K1437	Rue Ring Cotter Pin	5

Figure B



Inlet, Inlet Ring & Debris Deflector Installation

Open box door. From inside box, slide Inlet (Item #4) halfway into inlet hole (See Figure A). Take each half of the Inlet Ring (Item #2) and attach around matching groove in Inlet (Item #4). Slide Inlet (Item #4) & Inlet Ring (Item #2) against inlet hole and align four holes. Fasten Inlet Ring (Item #2) bottom holes using (2) 5/16" IT Tooth Lock Washers (Item #6) & (2) 5/16"-18 x 1/2" HHCS (Item #8) (See Figure B). Fasten Inlet Ring (Item #1) top holes using (2) 5/16" IT Tooth Lock Washers (Item #6) & (2) 5/16"-18 x 1-1/4" HHCS (Item #7). Slide Debris Deflector (Item #3) over inside top bolt threads (Item #7). Fasten Debris Deflector (Item #3) using (2) 5/16"-18 Ny-Flange Lock Nuts (Item #5). Final assembly should resemble Figure C.

Figure A

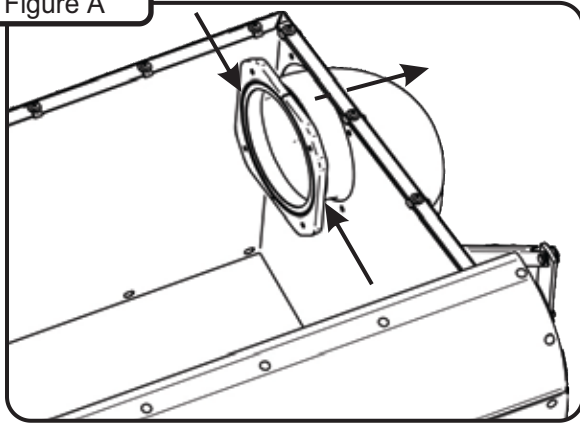


Figure C

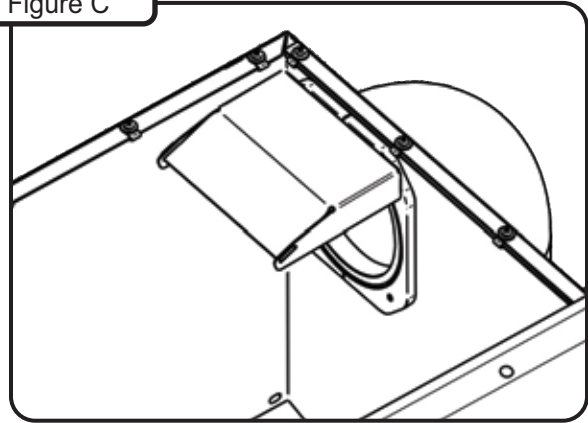
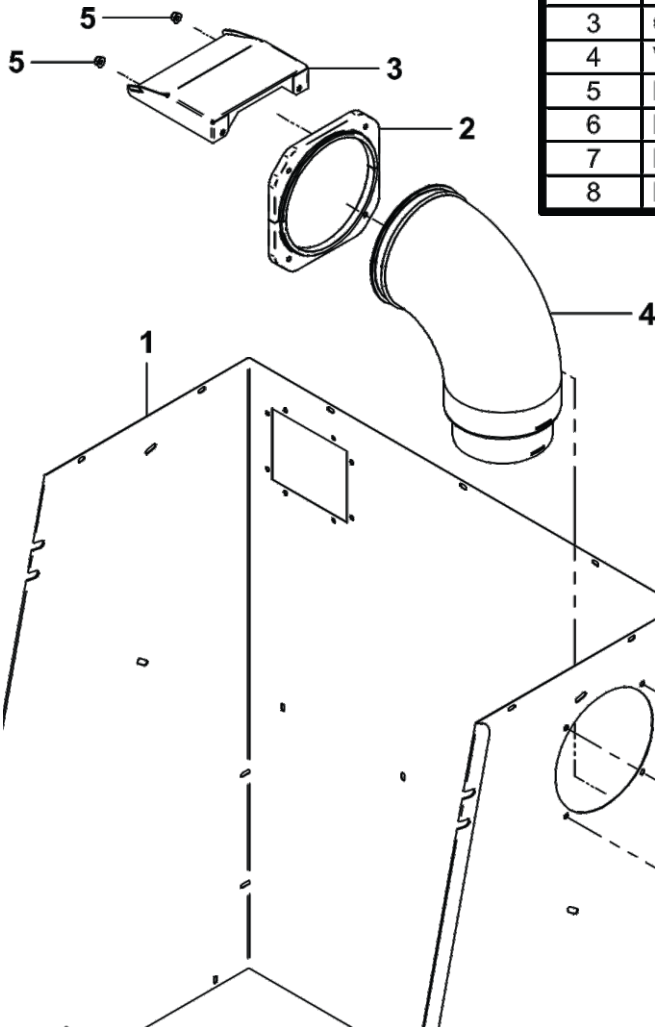


Figure B



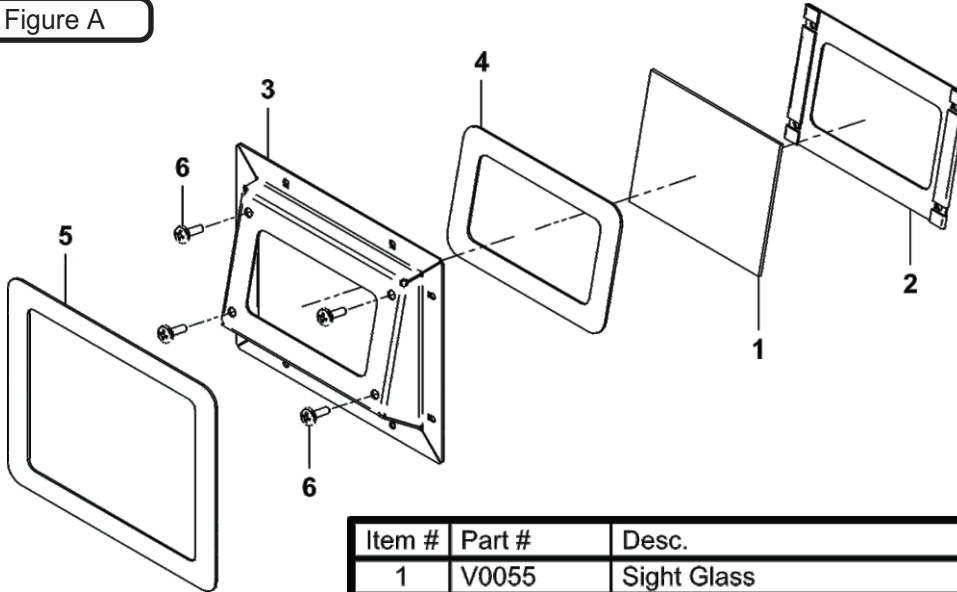
Item #	Part #	Desc.	Qty.
1	C1168_01	Box Back & Sides	1
2	C0074	Inlet Ring	1
3	C0088	Debris Deflector	1
4	V0025	Universal Inlet / 6" & 7"	1
5	K2516	Ny-Flange Lock Nut 5/16"-18	2
6	K0044	I/T Tooth Lock Washer 5/16"	4
7	K1156	5/16"-18 x 1-1/4" HHCS	2
8	K1152	HHCS 5/16"-18 x 1/2"	2

NOTE: Some features have been hidden from view for visual clarity.

Sight Glass Kit Installation

Refer to Figure A for the complete breakdown of the Sight Glass Kit Part#(A2229).

Figure A



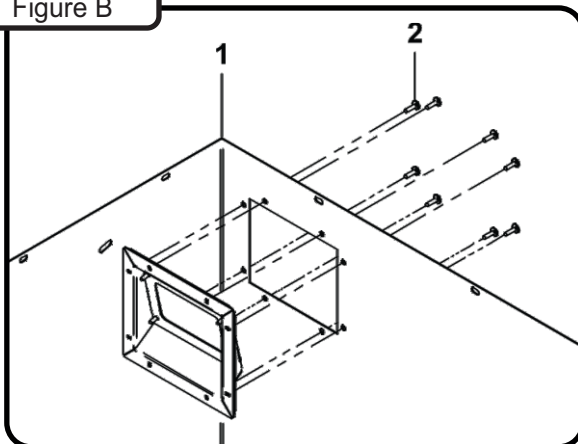
Item #	Part #	Desc.	Qty.
1	V0055	Sight Glass	1
2	C0099	Sight Glass Clamp	1
3	C0098	Sight Glass Mount	1
4	V0057	Sight Glass Seal	1
5	V0056	Glass Mount Seal	1
6	K0010	#10-12 x 3/4" SHARP TIP SMS	4

Open the Aluminum Box door. From inside of the Box, slide the assembled Sight Glass Kit into the window in the rear. Align the 8 screw holes of the Sight Glass Kit to those on the Aluminum Box and fasten the Sight Glass Kit to the Aluminum Box by using (8) #10-12 x 3/4" Sheet Metal Screws (Item #2). Refer to Figure B.

Refer to Figure C for the completed installation of the Sight Glass Kit.

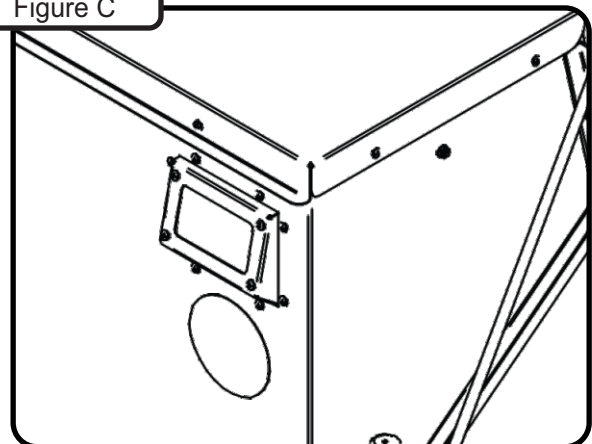
Note: Some parts and part features have been hidden from view for visual clarity.

Figure B



Viewed from the inside of the box.

Figure C

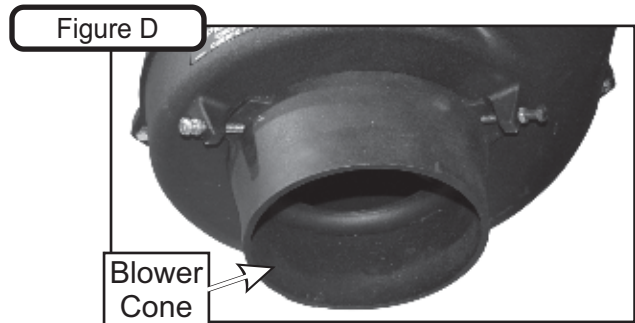
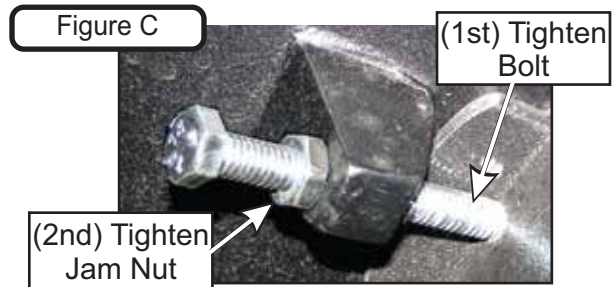
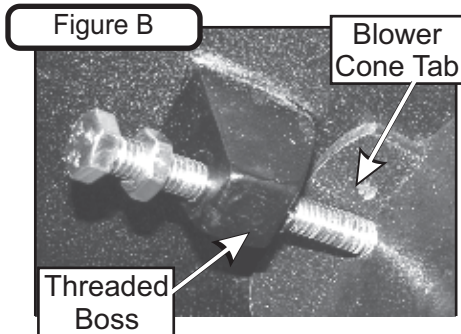
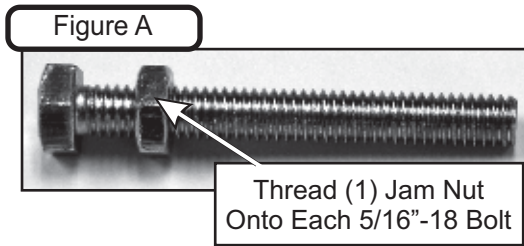


Viewed from the left rear side of the box.

Item #	Part #	Desc.	Qty.
1	C1168_01	Box Back & Sides	1
2	K0010	#10-12 x 3/4" SHARP TIP SMS	12

Blower Cone Installation

Thread (1) 5/16"-18 Jam Nut P#(K0120) onto each end of (2) 5/16"-18 x 2-1/2" HHCS P#(K0125), refer to Figure A. Next, partially thread (1) bolt into each of the two threaded bosses located on the Blower Housing. Position the Blower Cone so the tabs line up with the bolts and tighten completely, refer to Figure B. Once the (2) bolts are tight, tighten the Jam Nuts against the threaded boss, refer to Figure C. See Figure D for proper Blower Cone installation.



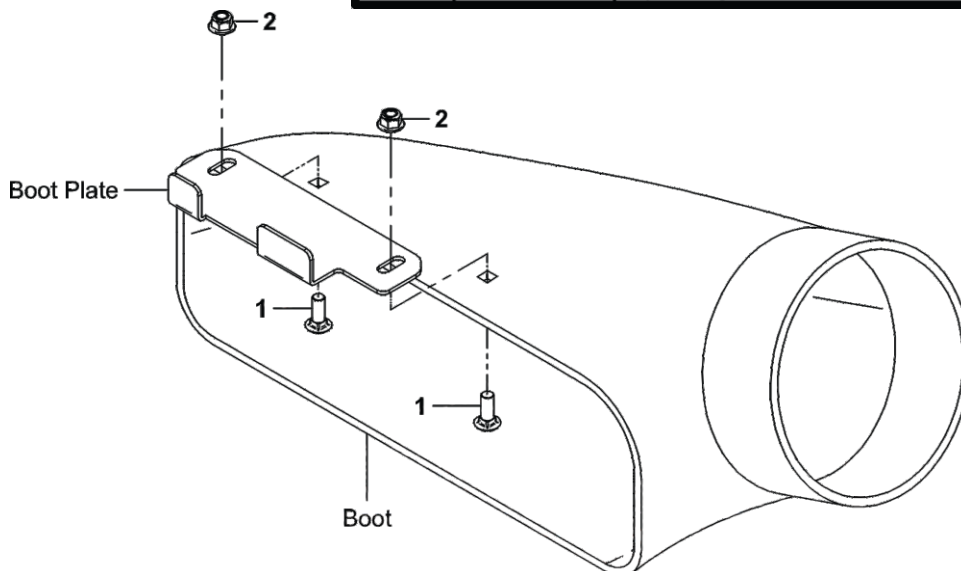
Boot Kit Assembly & Installation

Note: The following instructions are not specific to any tractor or model. The Boot Kit you receive maybe different than the one shown, it is recommended to use this set of instruction as a guide to installing your Boot Kit if a specific Instruction Sheet is not provided along with your Boot Kit.

Secure the Boot Plate to the Boot using (2) 3/8"-16 x 1" Carriage Bolts (Item #1) and (2) 3/8"-16 Ny-Flange Lock Nuts (Item #2). Insert the Carriage Bolts from the inside of the Boot so the threads are on the top of the Boot. This will prevent grass clippings from collecting on the threads. Refer to Figure A below.

Figure A

Item #	Part #	Desc.	Qty.
1	K1182	Carriage Bolt 3/8"-16 x 1"	2
2	K2038	Ny-Flange Lock Nut 3/8"-16	2



Boot Kit Assembly & Installation (Continued)

To install the Boot to the tractor deck, position the Boot to the deck discharge opening and rotate the Boot so that the tabs of the Boot Plate are horizontal and parallel with the deck. Refer to Figure B. With the discharge chute up, align and slide the tabs of the Boot Plate under the discharge chute and rotate the boot back to its original position. The Boot Plate should sit behind the discharge chute as shown in Figure C.

If your Boot Kit has a Boot Plate with mounting tabs and comes with (1) Boot Rod & (1) Hair Pin Clip, then align the Boot Plate mount tabs with those on the tractor's discharge tabs. Secure the Boot Plate using the Boot Rod & Hair Pin Clip, refer to Figure D below.

Figure B

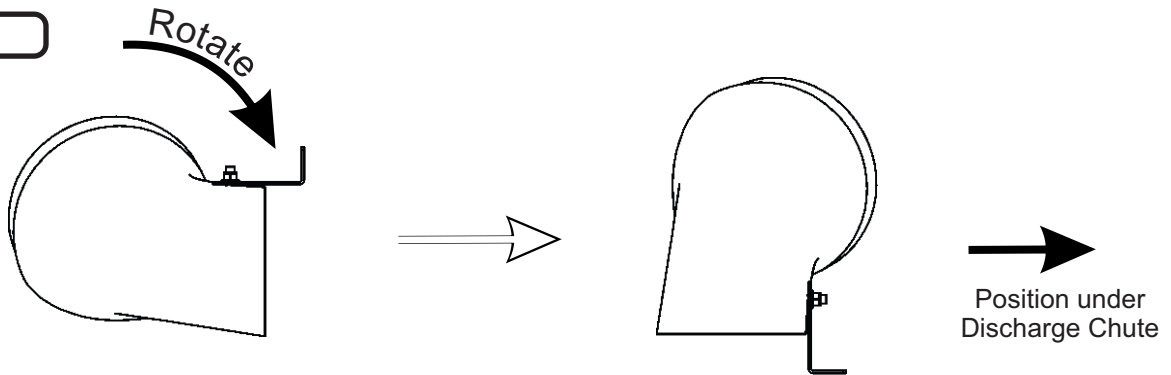


Figure C

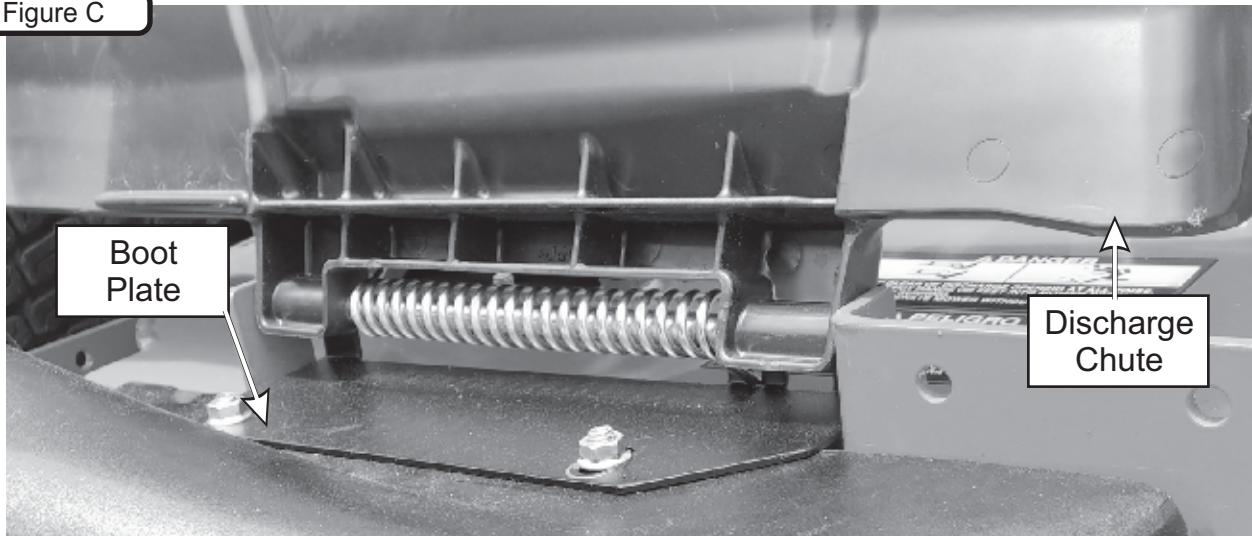
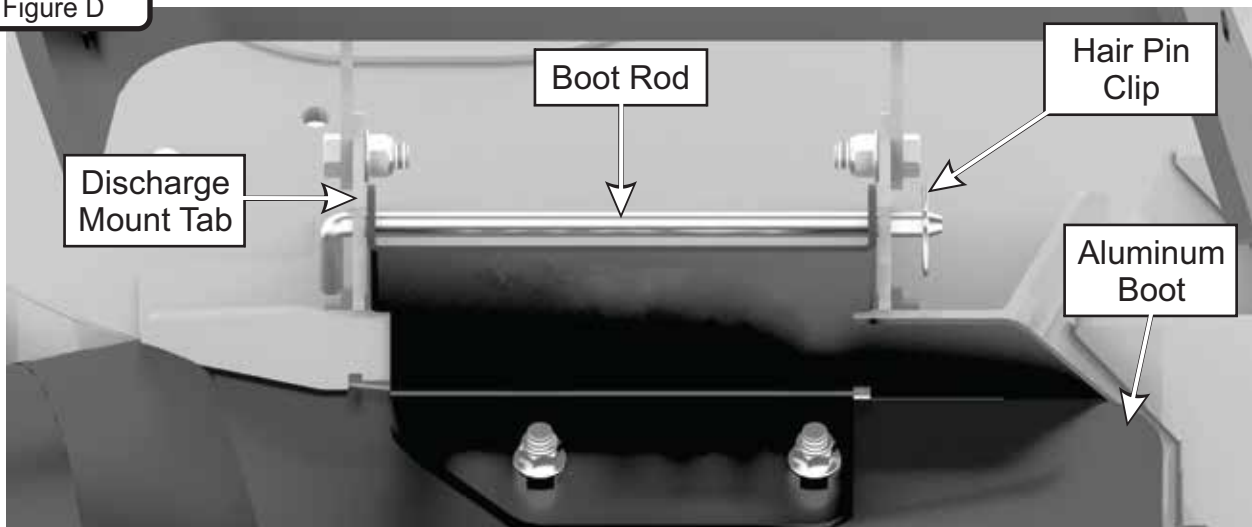


Figure D



Length Of Hose Adjustment

The hoses in the following steps must be cut to fit your machine. Do not cut the hoses until you have tried to fit them on your machine. Remember that the hoses need to be long enough to allow for the opening and closing of the collection system as well as allowing ample clamping surface between each component.

Upper Hose Installation

Slide a Hose Clamp P#(J0070) over one end of the 7" Upper Hose. Secure this end of the 7" Upper Hose to the Blower Outlet. See Figure below for details. Secure opposite end of the 7" Upper Hose to the Inlet. Make sure both ends are securely fastened by tightening the Hose Clamp and rotating the Inlet Snap Fastener towards the hose to lock in place.

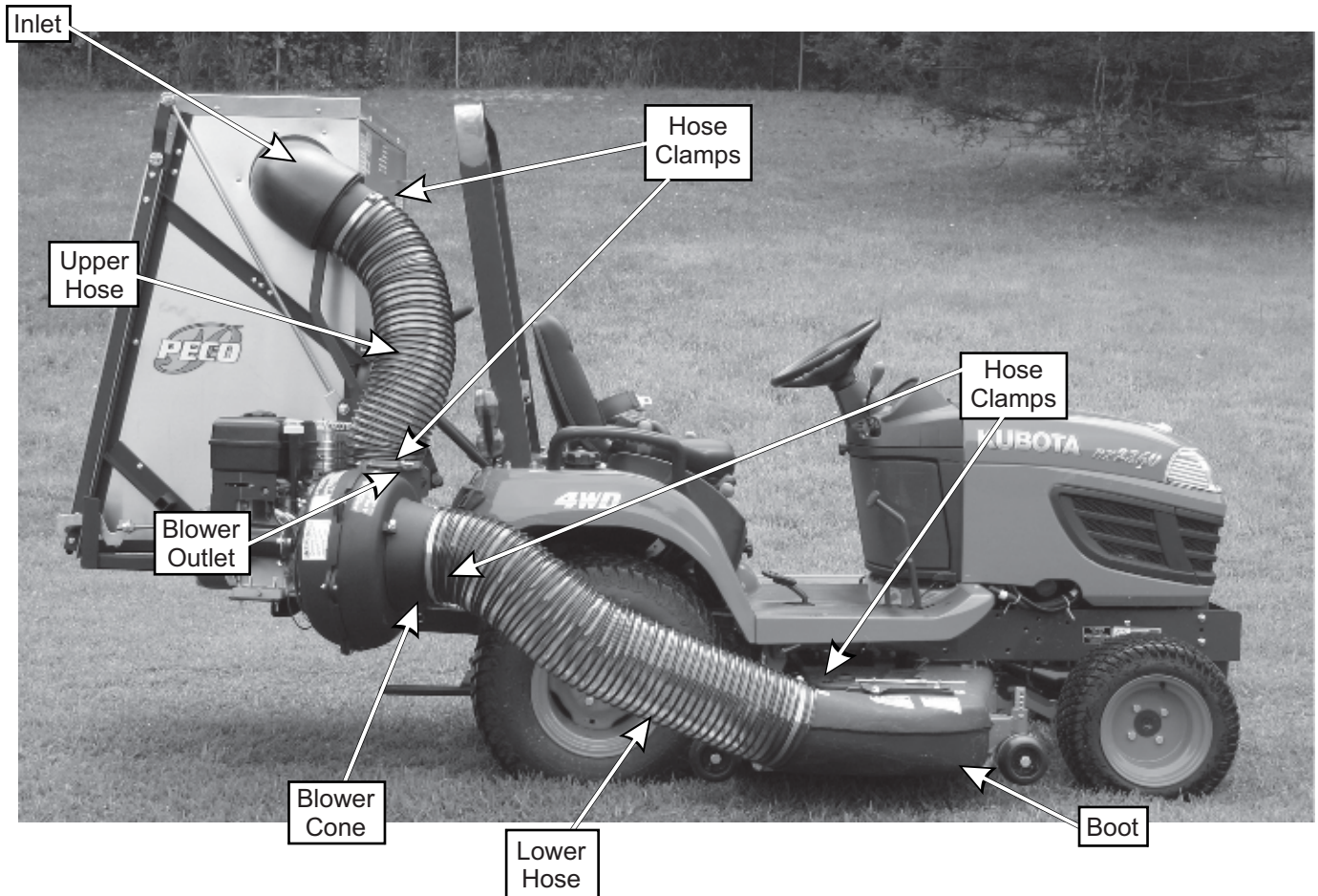
Lower Hose To Blower Cone Installation

Slide a Hose Clamp P#(J0080) over both ends of the 8" Lower Hose. Secure one end of the Lower Hose to the Blower Cone and fasten by tightening the Hose Clamp.

Lower Hose To Boot Installation

Take the unattached end of the Lower Hose and secure it to the circular end of the Boot and fasten by tightening the Hose Clamp.

Tip: Before securing Hose Clamp fully, rotate Lower Hose counter-clockwise (away from yourself) approximately 1" to aid in retaining Boot to mower deck.



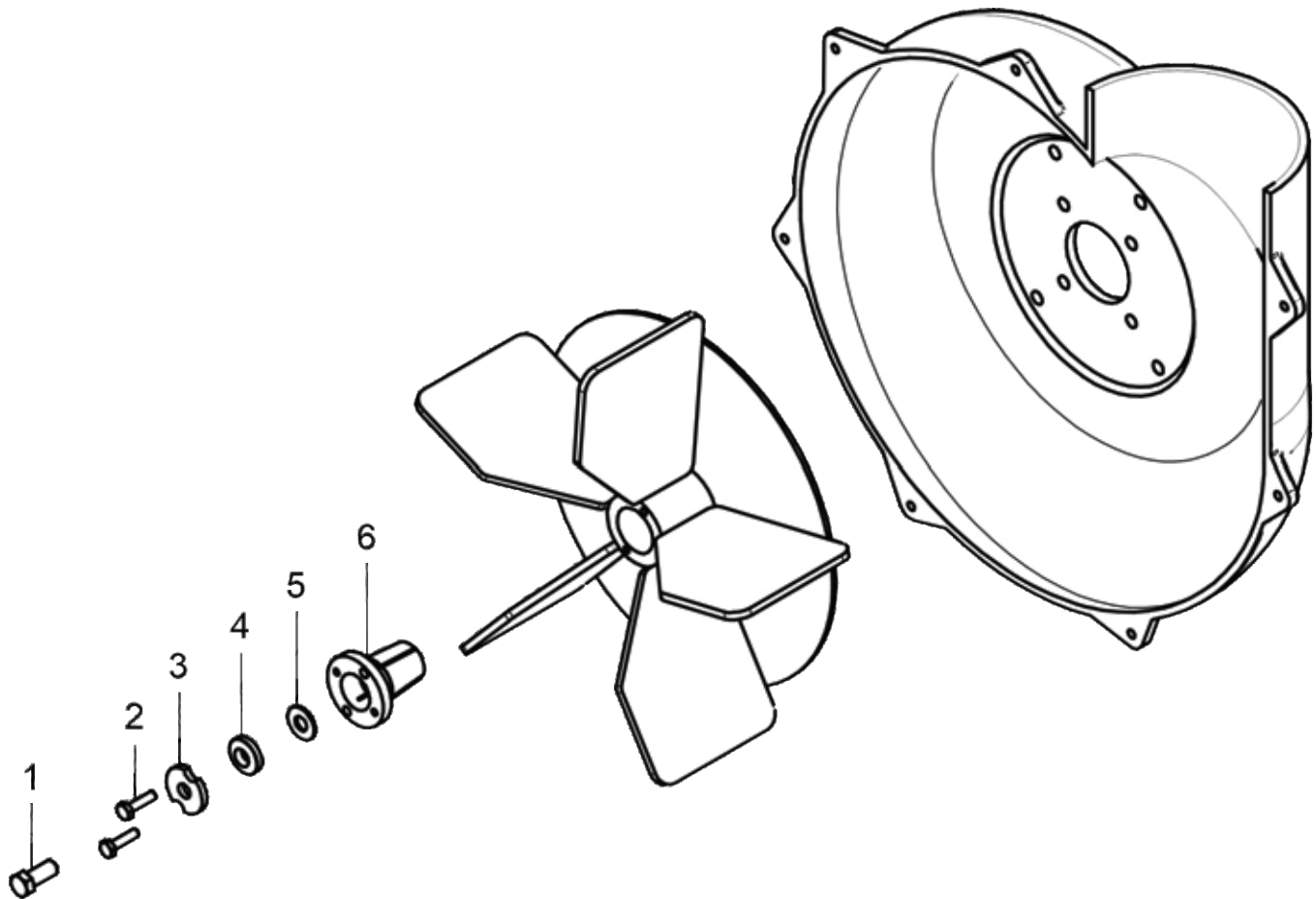
Impeller Blade Removal/Replacement

To Remove: First remove the 7/16"-20 x 1" HHCS P#(K1394) (#1), 7/16" Double Indented Washer P#(K0278) (#3), (1) Tapered Washer P#(K0277) (#4) and (1) 3/8" Flat Washer P#(K0047) (#5) from the Taper-Lock Bushing P#(S4302) (#6). Next remove the (2) 1/4"-20 x 1" HHCS (#2) and place them into the threaded holes of the Taper-Lock Bushing (#6). Gradually thread each bolt evenly into the Taper-Lock Bushing, forcing the blade to break-away from the Taper-Lock Bushing. If the Impeller will not move, carefully hit the base of the Impeller, between each vein, with a hammer, then try again.

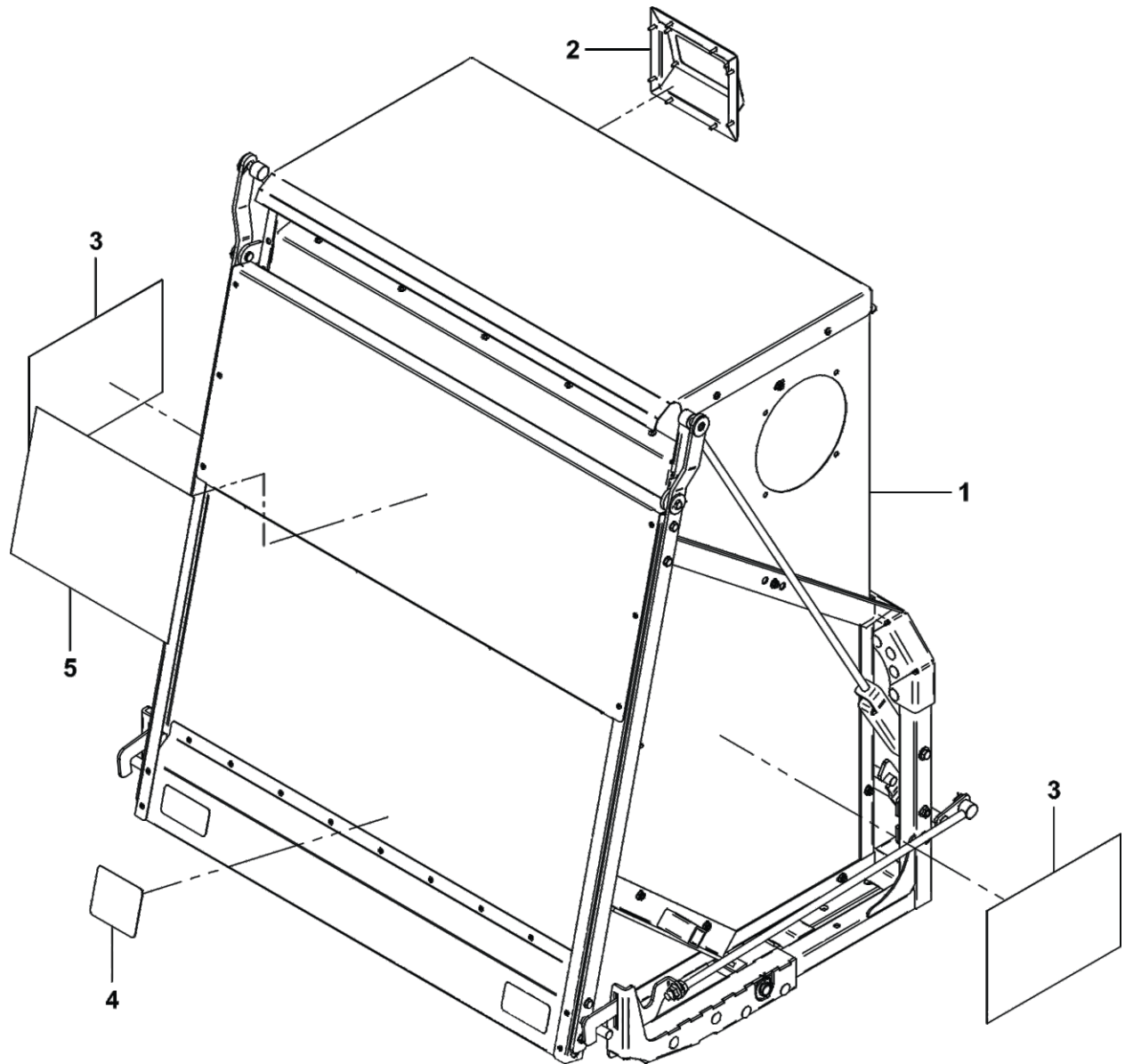
To Replace: Firstly, apply anti-seize to the 7/16"-20 x 1" HHCS (#1). Next, place the Impeller Blade over the engine shaft. Slide the Taper-Lock Bushing (#6) on to the engine shaft and into the Impeller Blade, aligning the **non-threaded** holes of the Taper-Lock Bushing to the threaded holes of the Impeller Blade. Fasten by using (2) 1/4"-20 x 1" HHCS (#2), (1) 3/8" Flat Washer (#5), (1) Tapered Washer (#4), (1) 7/16" Double Indented Washer (#3), and (1) 7/16"-20 x 1" HHCS (#1).

Torque the 7/16"-20 x 1" HHCS to 55 ft-lbs as per the 'Torque Specifications' on pg. 38.

Finally, rotate the Impeller Blade to ensure that the blade is clear of contact on all sides of the blower housing.

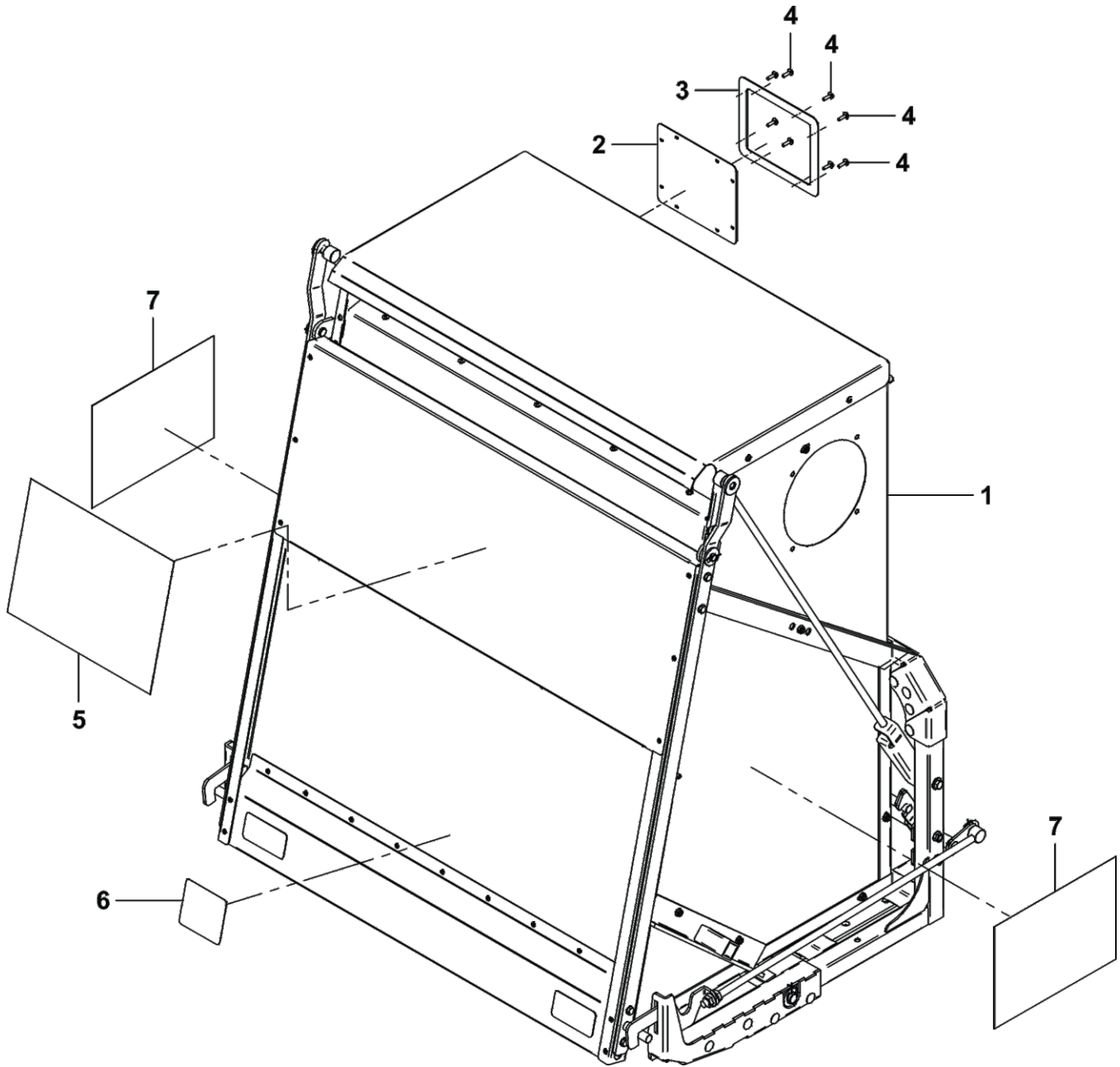


A7501 Pro22 DFS Exploded View



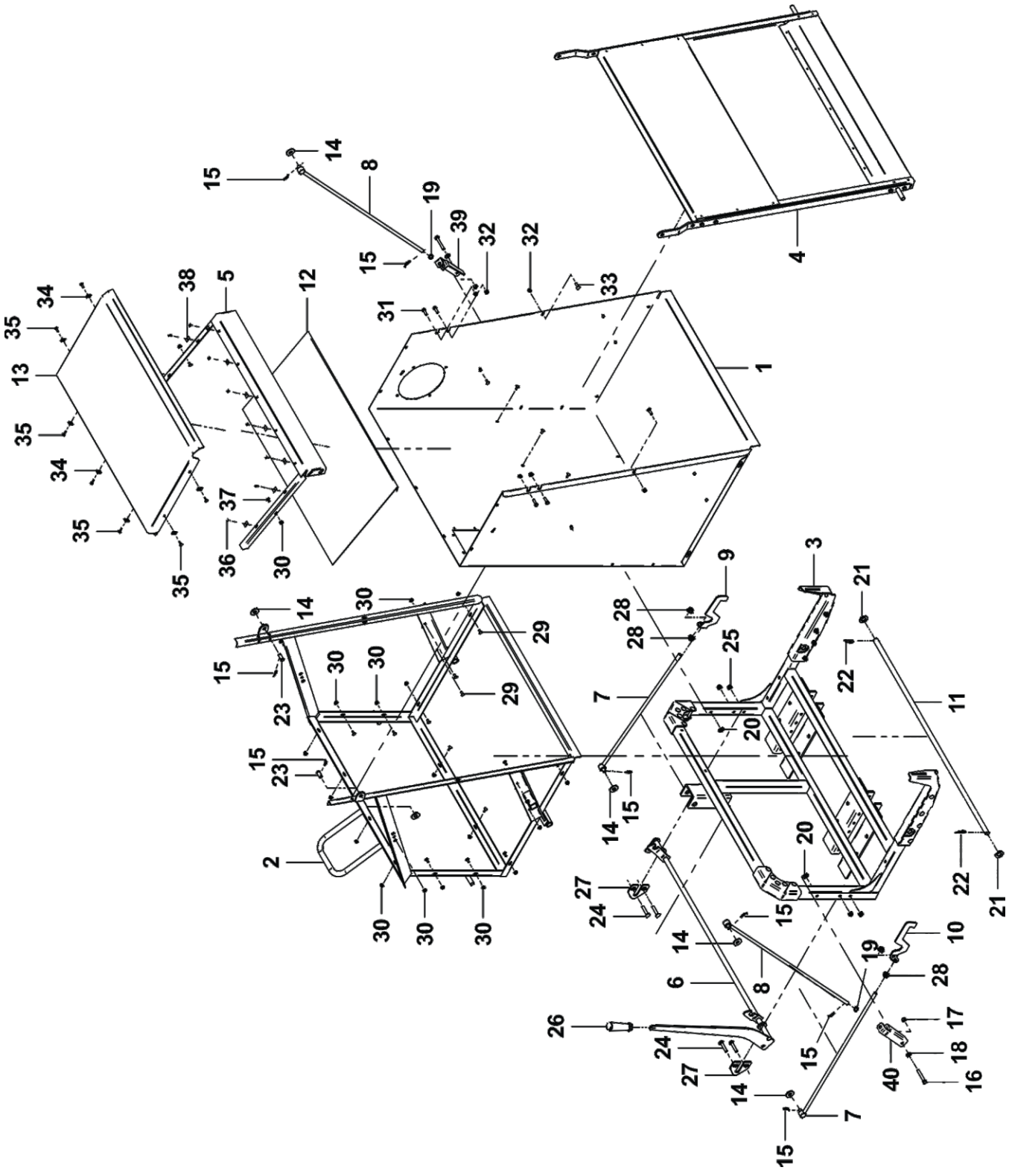
Item #	Part #	Desc.	Qty.
1	A7500	Pro 22DFS / Base Model	1
2	A2229	Sight Glass Kit	1
3	R0033	Decal / Pro22 Logo	2
4	R1053	Decal / Caution	1
5	R0028	PECO Logo / Large	1

A7503 Pro22 DFS Exploded View



Item #	Part #	Desc.	Qty.
1	A7500	Pro 22DFS / Base Model	1
2	C0101	Pro 22 Shipping Window Cover	1
3	V0056	Glass Mount Seal	1
4	K0010	#10-12 x 3/4" SHARP TIP SMS	8
5	R0028	PECO Logo / Large	1
6	R1053	Decal / Caution	1
7	R0033	Decal / Pro22 Logo	2

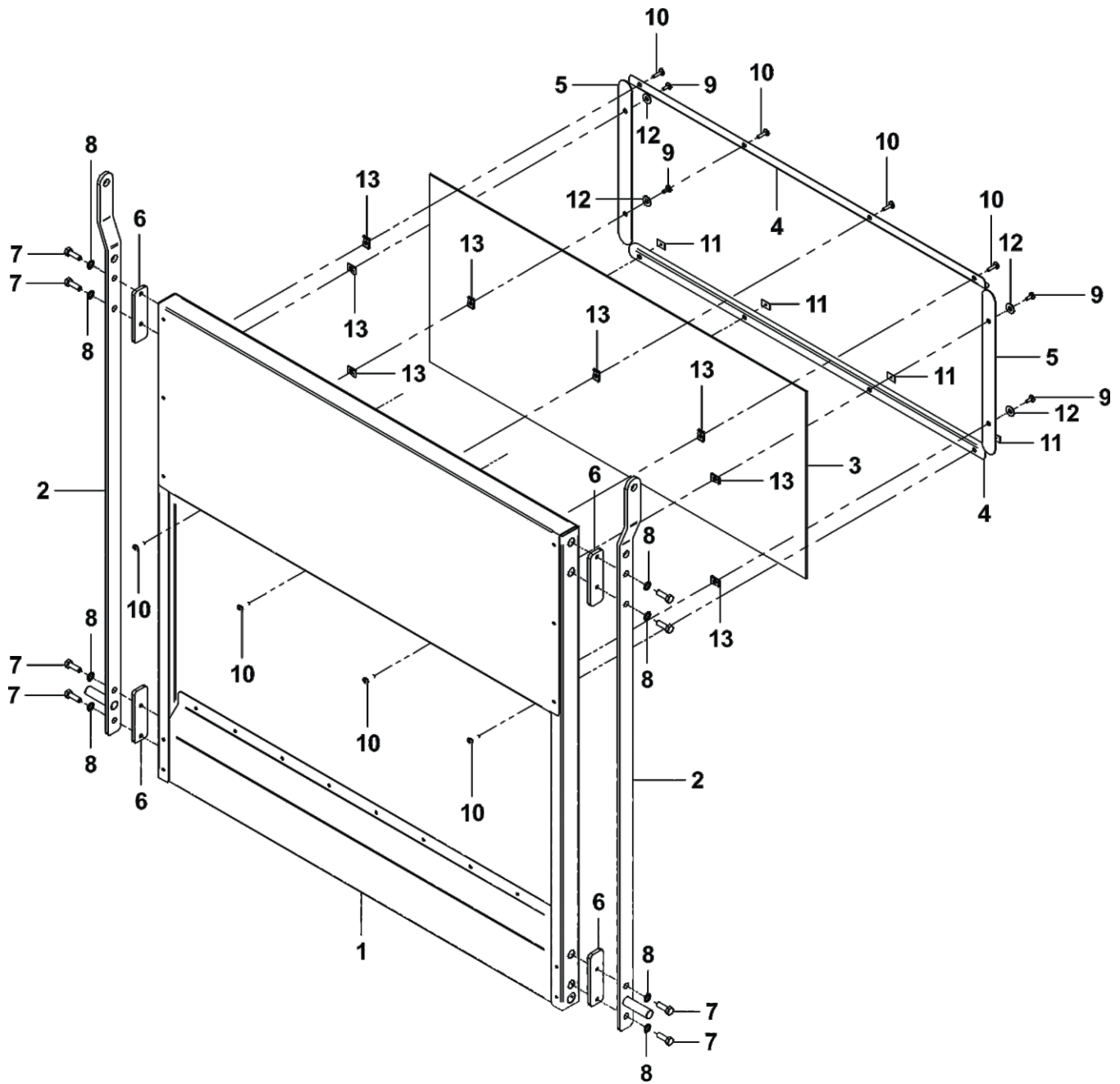
A7500 Pro22 DFS / Base Model Exploded View



A7500 Pro22 DFS / Base Model Exploded Parts List

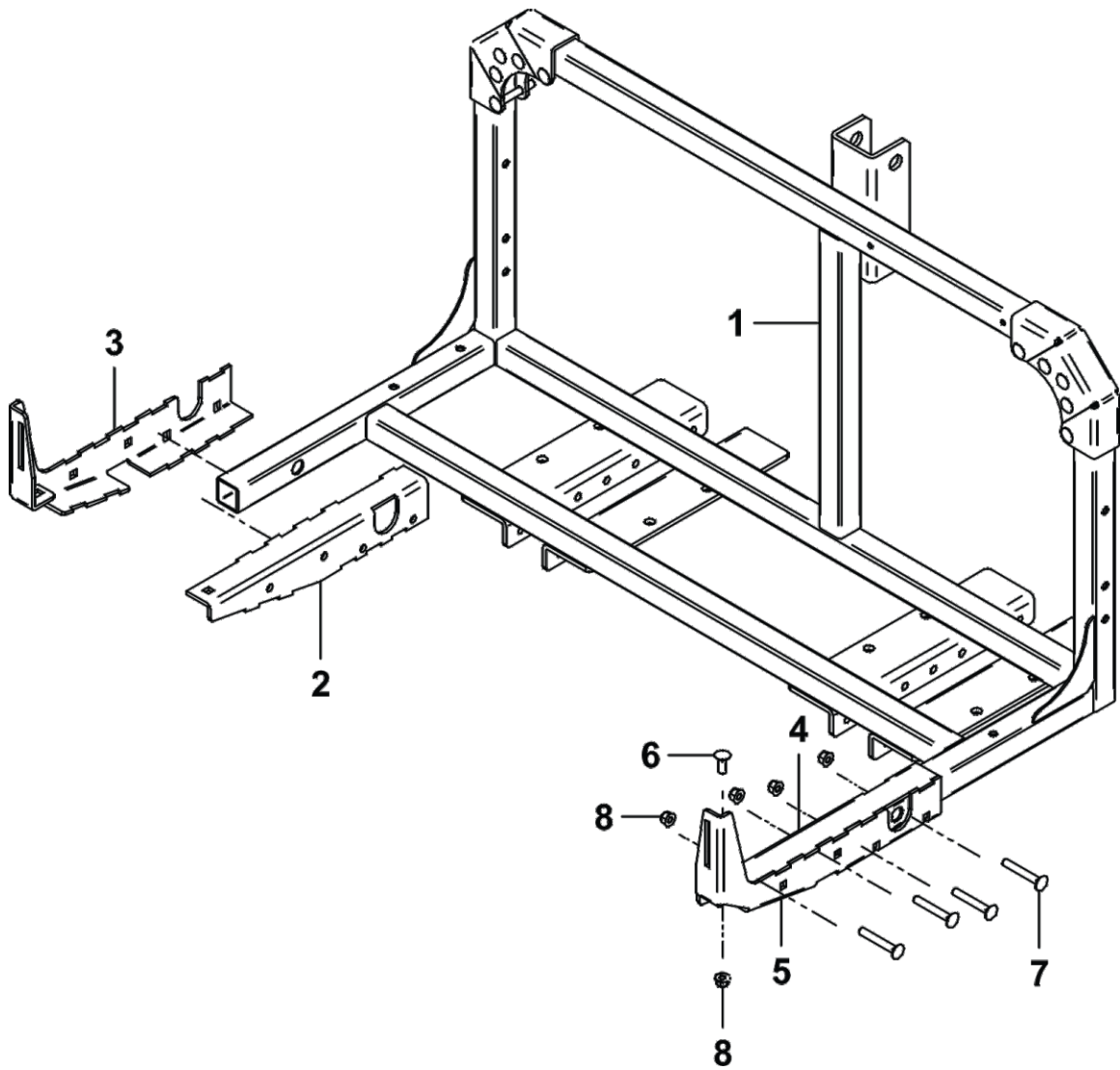
Item #	Part #	Desc.	Qty.
1	A0163_01	Aluminum Box Assembly	1
2	A0135	Box Base Frame	1
3	A2236	Base Frame / Pro 22DFS	1
4	A0191	Door Assembly	1
5	A0953	Screen Frame	1
6	A0492	Latch Assembly	1
7	A0366	Latch Rod Assembly	2
8	A0476	Door Rod Assy.	2
9	B1418	Latch Release Lever / Left	1
10	B1418	Latch Release Lever / Right	1
11	B4274	Pivot Rod	1
12	B8131	Screen	1
13	C1167	Box Top	1
14	K0055	Flat Washer 1/2" / 1.383 OD x .560 ID x .120 T	6
15	K1437	Rue Ring Cotter Pin	8
16	K1197	3/8"-16 X 2 1/2" HHCS	2
17	K1216	Nyloc Nut / 3/8"-16	2
18	K0042	Flat Washer 5/16" / .875 OD x .380 ID x .075 T	2
19	K0027	Flat Washer 1/2" / .787 OD x .512 ID x .090 T	2
20	K0047	Flat Washer 3/8" / 1.00 OD x .446 ID x .075 T	2
21	K0061	3/4" Flat Washer / 1.486 OD x .810 ID x .147 T	2
22	K1404	3/4" Rue Ring	2
23	K1418	Linkage Pin	2
24	K1184	Carriage Bolt 3/8"-16 x 2"	4
25	K1215	Flange Nut 3/8"-16	4
26	J0522	Handle Grip / Round Black / .800 ID	1
27	B1172	Latch Clamp	2
28	K1246	Flange Nut 1/2"-13	4
29	K1010	1/4"-20 x 5/8" Carriage Bolt	20
30	K1126	Flange Nut 1/4"-20	22
31	K1154	HHCS 5/16"-18 x 1"	4
32	K2516	Ny-Flange Lock Nut 5/16"-18	6
33	K1144	5/16"-18 x 1" Carriage Bolt	2
34	K0028	Tinnerman Clip / Small	7
35	K1092	#10-12 x 3/4" Blunt Tip SMS	7
36	K1096	#10-12 x 1/2" Tinnerman Screw	9
37	K1005	1/4"-20 x 1/2" Carriage Bolt	2
38	K0029	#10-12 Flat Tinnerman Nut 3/4" x 1/2"	9
39	B1910	Linkage Bracket Left	1
40	B1931	Linkage Bracket Right	1

A0191 Door Assembly Exploded View



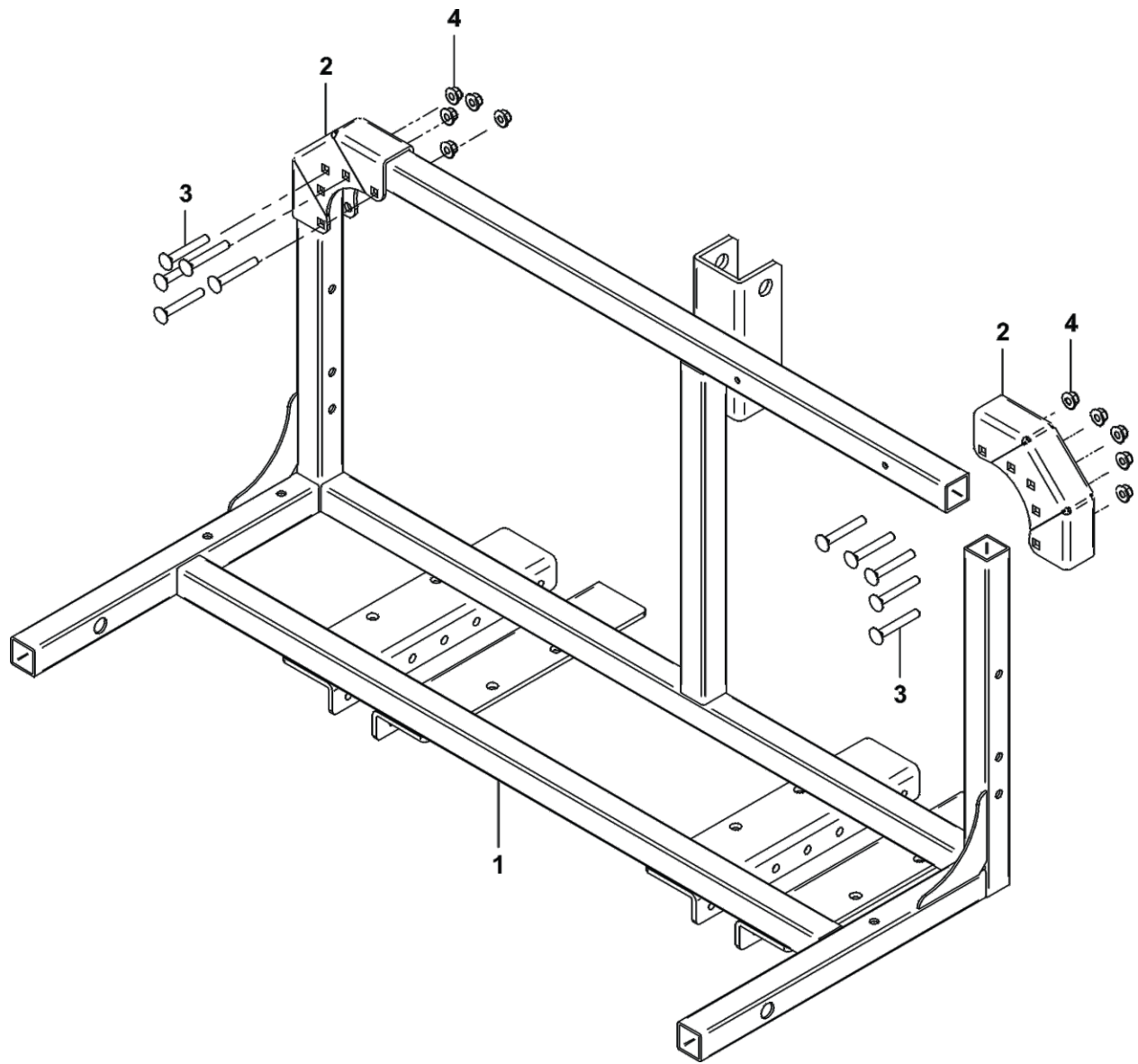
Item #	Part #	Desc.	Qty.
1	A0269	Door Subassembly	1
2	A0473	Door Hinge Support	2
3	B8121	Door Mesh Screen	1
4	C2104	Door Screen Reinforcement	2
5	C2109	Screen Strip / Vertical	2
6	B2173	HINGE BRACE PL.	4
7	K1154	HHCS 5/16"-18 x 1"	8
8	K0044	I/T Tooth Lock Washer 5/16"	8
9	K1096	#10-12 x 1/2" Tinnerman Screw	4
10	K1092	#10-12 x 3/4" Blunt Tip SMS	8
11	K0029	#10-12 Flat Tinnerman Nut 3/4" x 1/2"	4
12	K0037	Flat Washer / 1/4" (.75 OD x .312 ID x .060 T)	4
13	K0028	Tinnerman Clip / Small	8

A2236 Base Frame Assy / Pro 22 Exploded View



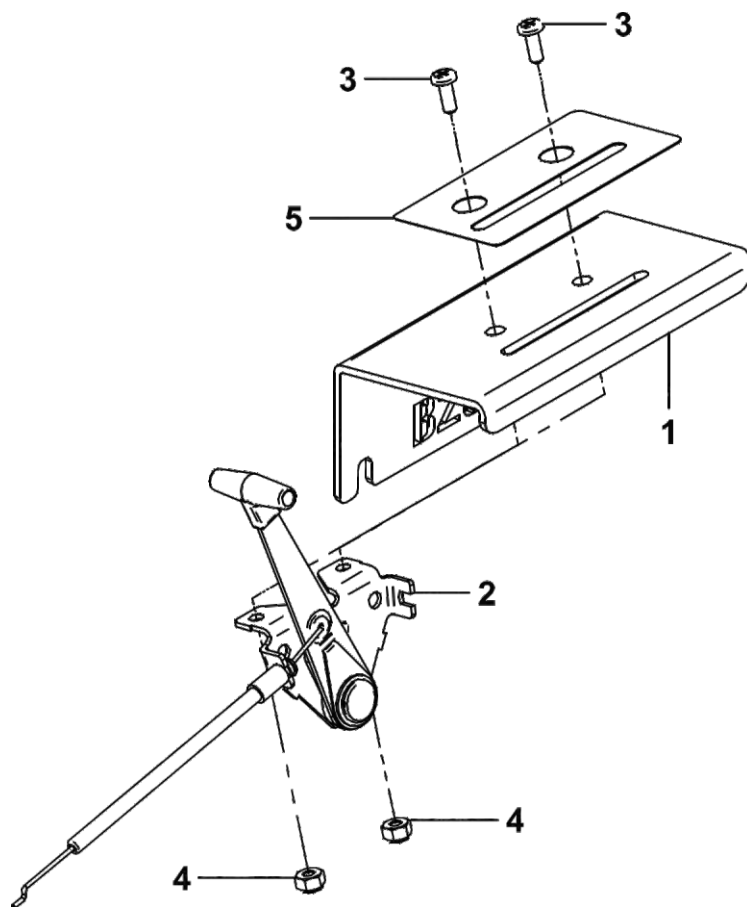
Item #	Part #	Desc.	Qty.
1	A2234	Base Frame Assy / 3-Pt Hitch	1
2	B1908L	Latch Brace / Top / Left	1
3	B1909L	Latch Brace / Bottom / Left	1
4	B1908R	Latch Brace / Top / Right	1
5	B1909R	Latch Brace / Bottom / Right	1
6	K1182	Carriage Bolt 3/8"-16 x 1"	2
7	K1186	3/8"-16 x 2-1/2" CARRIAGE BOLT	8
8	K2038	Ny-Flange Lock Nut 3/8"-16	10

A2234 Base Frame Assy / 3-Pt Hitch Exploded View



Item #	Part #	Desc.	Qty.
1	A0090_01	Base Frame / Weldment	1
2	B1901	Upright Clamp / Base Frame	2
3	K1186	3/8"-16 x 2-1/2" CARRIAGE BOLT	10
4	K2038	Ny-Flange Lock Nut 3/8"-16	10

A2398 Throttle Plate Assembly Exploded View



Item #	Part #	Desc.	Qty.
1	B2603	Throttle Plate	1
2	J0269	70" THROTTLE CABLE	1
3	K1064	10-24 x 1/2" Phillips PHMS	2
4	K1068	10-24 Nyloc Nut	2
5	R4066	Decal / Throttle Plate	1



Unit Model #: 752202

Mower: Sub-Compact Tractors

Owner's Manual: Q0059

Mower Type: Cat 1 3Pt Hitch

Deck Size:

Vac Type: Pro22 (22 Cu. Ft.)

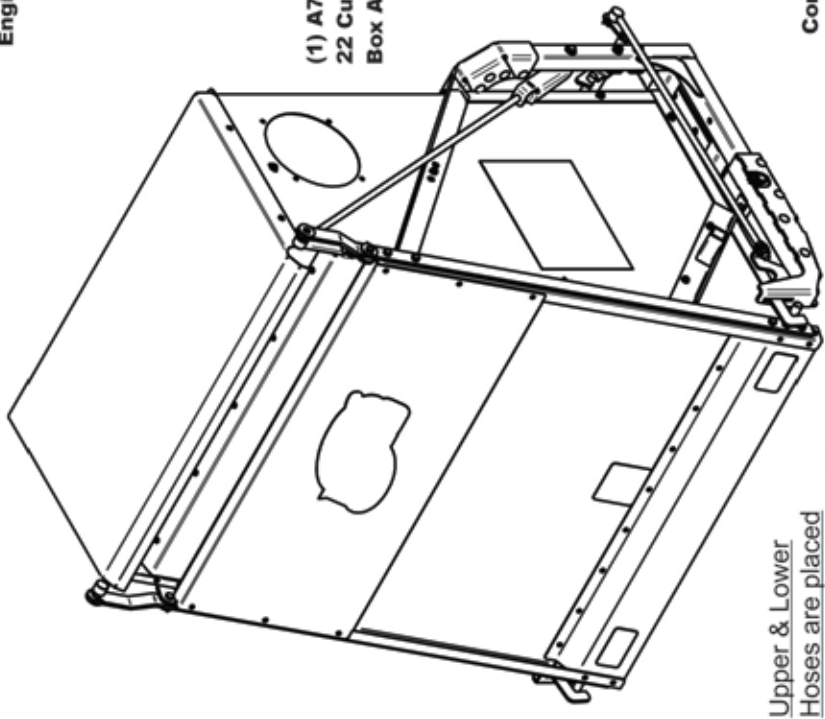
Deck Type:

Drive Type: Yanmar 7HP Diesel

Revision #:

Fits Year(s): 2019 & Newer

☐ Crate Contents



Upper & Lower Hoses are placed inside the Box Assembly



(1) F0080-70
8" x 70"
Lower Hose

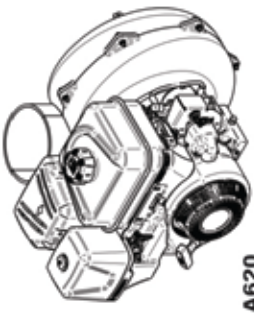


(1) F0070-48
7" x 48"
Upper Hose

☐ Engine Drive Box



(1) Engine Drive Box



(1) A620
Yanmar 7HP
Engine Assy



(1) A2398
Throttle Cable
Assy

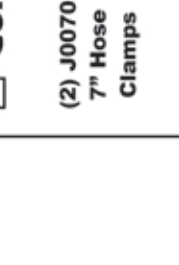


(1) A2152
Wiring Kit
HW Bag



(1) E6008
8" Blower
Cone

☐ Components Box



(1) A7501
22 Cu. Ft.
Box Assy.

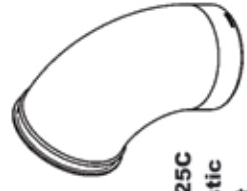
☐ Components Box Contents



(2) J0070
7" Hose
Clamps



(1) HB0704
Inlet Kit
HW Bag



(1) V0025C
7" Plastic
Inlet



(1) HB0832
Mount Kit
HW Bag



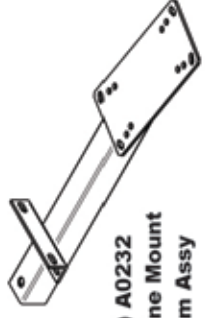
(2) J0080
8" Hose
Clamps



(1) C0088
Debris
Deflector

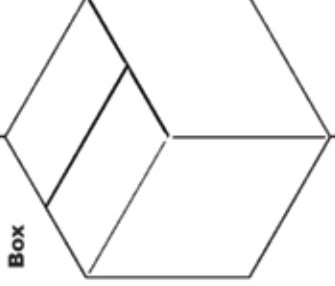


(1) C0074
Inlet Ring
(Split Cut)



(1) A0232
Engine Mount
Arm Assy

☐ Components Box



(1) Components Box

(2) B1180
Lower Link
Plates



☐ A0137 Large Universal Boot Kit

☐ Other Boot Kit (_____)



Unit Model #: 752207

Mower: Sub-Compact Tractors

Mower Type: Cat 1 3Pt Hitch

Deck Size:

Deck Type:

Revision #: 2 - Updated Throttle Cable Assy (May 2022)

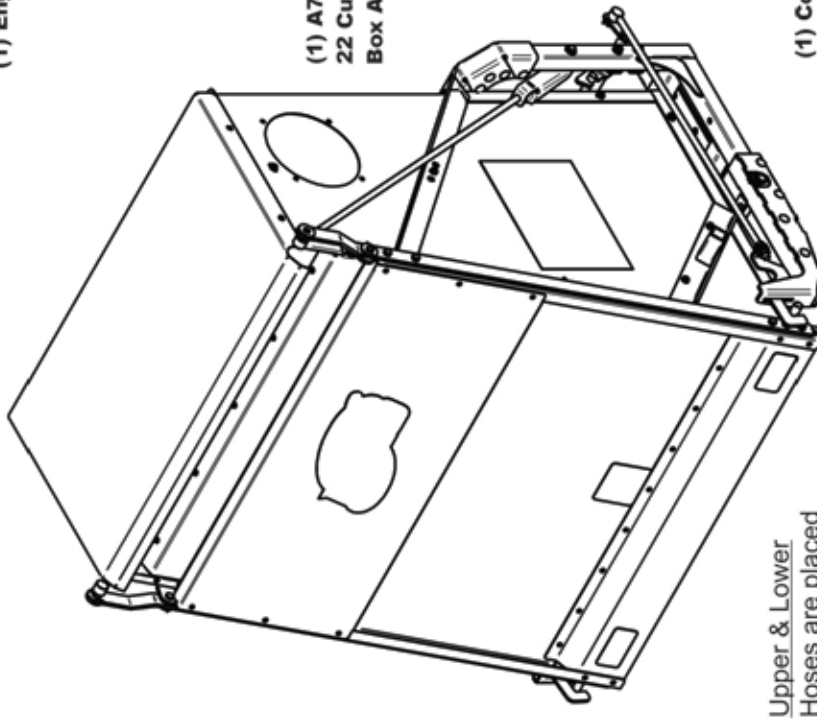
Owner's Manual: Q0059

Vac Type: Pro22 (22 Cu. Ft.)

Drive Type: B&S 14HP Vanguard

Fits Year(s): 2019 & Newer

☐ Crate Contents



(1) Engine Drive Box

(1) A7501
22 Cu. Ft.
Box Assy.

(1) Components Box

Upper & Lower Hoses are placed inside the Box Assembly

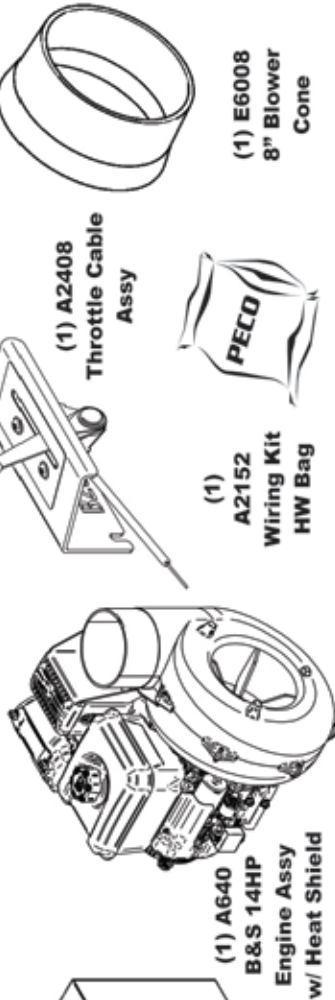
(1) F0080-70
8" x 70"
Lower Hose



(1) F0070-48
7" x 48"
Upper Hose



☐ Engine Drive Box



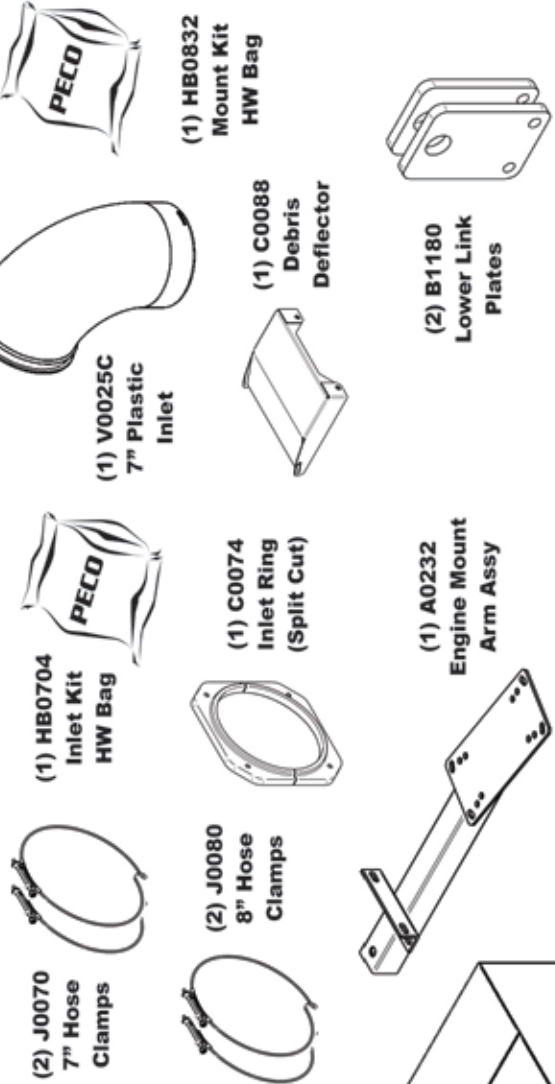
(1) A640
B&S 14HP
Engine Assy
w/ Heat Shield

(1) A2408
Throttle Cable
Assy

(1)
A2152
Wiring Kit
HW Bag

(1) E6008
8" Blower
Cone

☐ Components Box Contents



(2) J0070
7" Hose
Clamps

(2) J0080
8" Hose
Clamps

(1) HB0704
Inlet Kit
HW Bag

(1) C0074
Inlet Ring
(Split Cut)

(1) V0025C
7" Plastic
Inlet

(1) C0088
Debris
Deflector

(1) HB0832
Mount Kit
HW Bag

(1) A0232
Engine Mount
Arm Assy

(2) B1180
Lower Link
Plates

A0137 Large Universal Boot Kit

Other Boot Kit (_____)



Unit Model #: 752207-AM

Mower: Sub-Compact Tractors

Owner's Manual: Q0059

Deck Type: Cat 1 3Pt Hitch

Deck Size:

Vac Type: Pro22 (22 Cu. Ft.)

Deck Type:

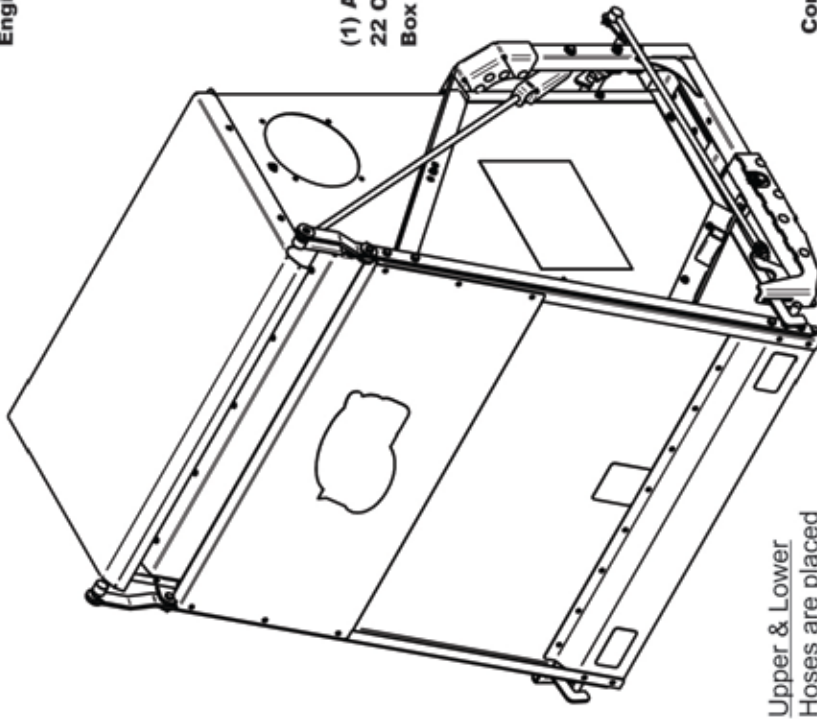
Drive Type: B&S 14HP Vanguard

Revision #:

2 - Updated Throttle Cable Assy (May 2022)

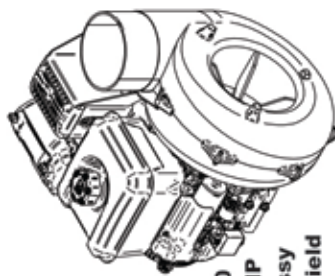
Fits Year(s): 2019 & Newer

Crate Contents

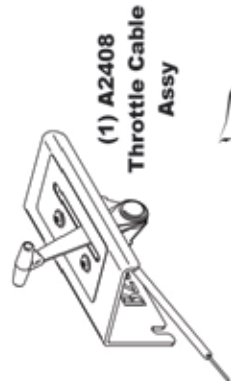


(1) Engine Drive Box

Engine Drive Box



(1) A640 B&S 14HP Engine Assy w/ Heat Shield



(1) A2408 Throttle Cable Assy



(1) A2152 Wiring Kit HW Bag



(1) E6008 8" Blower Cone

(1) A7503 22 Cu. Ft. Box Assy.

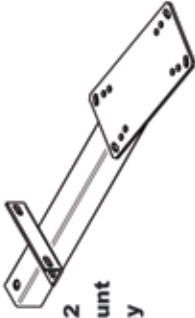
Components Box Contents



(2) J0070 7" Hose Clamps



(1) HB0832 Mount Kit HW Bag



(1) A0232 Engine Mount Arm Assy



(2) J0080 8" Hose Clamps



(1) HB0704 Inlet Kit HW Bag



(1) V0025C 7" Plastic Inlet



(1) C0074 Inlet Ring (Split Cut)

(2) B1180 Lower Link Plates



(1) C0088 Debris Deflector



Upper & Lower Hoses are placed inside the Box Assembly



(1) F0080-70 8" x 70" Lower Hose



(1) F0070-48 7" x 48" Upper Hose

A0137 Large Universal Boot Kit



(1) A0856 Boot Kit HW Bag



(1) V1049 Universal Boot / Large

SAFETY DECALS

To promote safe operation, New PECO, Inc. supplies safety decals on all products manufactured. Damage can occur to safety decals either through shipment, use or reconditioning. Contact your local Service Center for replacement decals.



Part# R1070
PECO Logo



Part# R0022
Designed & Built
In The USA



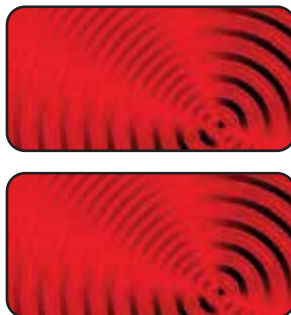
Part #: R2007
Danger - Never Use Hands



Part #: R2008
Danger - Rotating Blades



Part #: R1054
Important - Hose Wear



Part #: R1057 - (2)
Red Reflectors



Part #: R1069
Warning - Turn Off Blower



Part # R0024
Danger - Keep Hands
Clear



Part #: R1051
Warning - Hearing Protection



Part # R0025
Danger - Rotating
Blades

SECTION III OPERATING INSTRUCTIONS

General Safety

Only qualified people familiar with this operator's manual and the mower's operator's manual should operate this machine.

Operation And Tips On Mowing

- A. Perform BEFORE EACH USE the maintenance list referenced in Section IV.
- B. Start the engine/blower/blade assembly.
- C. Start mower.
- D. With the mower at high idle speed, engage the mower deck.
- E. While seated in the operator's seat, adjust the Throttle speed. With the engine blower assembly engaged and throttle speed adjusted you can proceed to operate the control levers of the mower.

NOTE: If the collection system does not appear to be collecting the grass clippings, disengage the deck and PTO assembly, then, engage the parking brake and turn the mower off. Check upper and lower hoses for any clogs.

To obtain the maximum effectiveness from your collection system, the tips listed below should be followed:

- * Watch your speed- Normal conditions will allow a speed of up to approximately 4 mph, but thick, heavy damp conditions will require reduced ground speed.
- * Mow with sharp blades- A sharp blade cuts cleaner.
- * Wet grass and leaves will decrease effectiveness and will increase horsepower requirements.
- * Mow at higher cutting heights- Remove and mulch no more than 2" of grass length with each mowing. (Experts recommend not cutting off more than 1/3 of the grass blade length at any given time.)
- * Mow twice, at different height settings, (high, then low), if grass is extra tall.
- * Remember that horsepower requirements will vary with the mowing conditions such as type and height of turf grass, moisture content, amount of leaves, whether the terrain is flat or hilly, etc.

Unloading The Collection System

NOTE: Collection system blower will have an audible change in tone when the collection system is full.

- A. Stop the forward movement of the mower.
- B. Disengage the mower deck.
- C. Engage the parking brake.
- E. Once the parking brake has been engaged, reach back and release the collection unit's latch handle.
- F. Pivot the collection unit back using the dump handle to dump the clippings.
- G. Pull the dump handle back up to place the collection unit back to its original position and re-latch the latch handle to secure the collection unit.

NOTE: Do not allow the collection unit to become over-filled as potential damage may occur to your equipment.

SECTION IV MAINTENANCE

Maintenance Checklist

Before each use:

1. Check blades and spindles to be sure that no foreign objects, such as wire or steel strapping bands, are wrapped around them.
2. Inspect blades for wear. Replace if necessary. If it is necessary to sharpen the blades, remove the blades from the spindles before sharpening. DO NOT sharpen blades while still attached to the mower.
3. Make sure all shields are in place and in good condition. Repair or replace any missing or damaged shields.
4. Perform lubrication per instructions.
5. Listen for abnormal sounds, which might indicate loose parts, damaged bearings, or other damages. Correct any deficiency before continuing operation.
6. With the engine off, engage the blower assembly. Check the belt tension and inspect the pulley belt for cracks or tears.
7. Check for wear or deterioration of the upper or lower hoses. If there are any portions of the hose that have been torn or worn through, replace immediately.

After Each Use:

1. Clean all debris from machine especially from the container, underneath the belt shields, and safety decals. Replace any missing or illegible decals.
2. Inspect the unit for worn or damaged components. Repair or replace before the next use. Any replacement component installed during repair shall include the component's current safety decal specified by the manufacturers to be affixed to the component.
3. Under normal usage, the collection unit is subject to deterioration and wear and should therefore be frequently checked for necessary replacement. Any replacement parts should be checked to ensure compliance with the original manufacturer's recommendations or specifications.

SECTION V - PARTS & SERVICE

Parts And Service Information

Collection system owners should record the name and telephone number of their Service Center. Your Service Center will be happy to supply replacement parts, accessories, and do any service or repairs to your collection system. If for any reason your Service Center is unable to service your collection system or supply replacement parts, contact New PECO, Inc. and include the following information on the chart below.

DOCUMENT THE FOLLOWING INFORMATION FOR FUTURE REFERENCE

Unit Model Number: _____

Unit Engine Size: _____

Unit Serial Number: _____

Date of purchase: _____ / _____ / _____

Dealer/Distributor Name: _____

Address: _____ **State:** _____ **Zip:** _____

Phone Number: _____

New PECO, Inc.

10 Walden Dr | Arden, North Carolina 28704

Phone: 1-800-438-5823 | 828-684-1234

Fax: 828-684-0858

Email: peco@lawnvac.com

Website: www.lawnvac.com

TORQUE SPECIFICATIONS

Proper torque for American fasteners used on Peco equipment.
Recommended Torque in Foot Pounds (Newton Meters).*

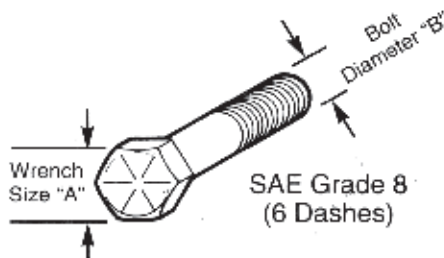
AMERICAN Bolt Head Markings



SAE Grade 2
(No Dashes)



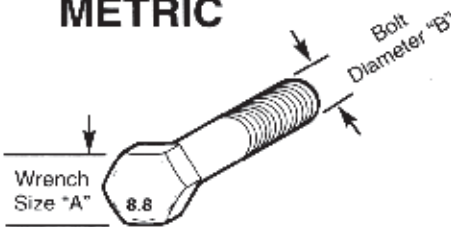
SAE Grade 5
(3 Dashes)



SAE Grade 8
(6 Dashes)

WRENCH SIZE (IN.) "A"	BOLT DIAMETER (IN.) "B" AND THREAD SIZE	SAE GRADE 2	SAE GRADE 5	SAE GRADE 8
7/16	1/4 - 20 UNC	6 (7)	8 (11)	12 (16)
7/16	1/4 - 28 UNF	6 (8)	10 (13)	14 (18)
1/2	5/16 - 18 UNC	11 (15)	17 (23)	25 (33)
1/2	5/16 - 24 UNF	13 (17)	19 (26)	27 (37)
9/16	3/8 - 16 UNC	20 (27)	31 (42)	44 (60)
9/16	3/8 - 24 UNF	23 (31)	35 (47)	49 (66)
5/8	7/16 - 14 UNC	32 (43)	49 (66)	70 (95)
5/8	7/16 - 20 UNF	36 (49)	55 (75)	78 (106)
3/4	1/2 - 13 UNC	49 (66)	76 (103)	106 (144)
3/4	1/2 - 20 UNF	55 (75)	85 (115)	120 (163)
7/8	9/16 - 12 UNC	70 (95)	109 (148)	153 (207)
7/8	9/16 - 18 UNF	79 (107)	122 (165)	172 (233)
15/16	5/8 - 11 UNC	97 (131)	150 (203)	212 (287)
15/16	5/8 - 18 UNF	110 (149)	170 (230)	240 (325)
1-1/8	3/4 - 10 UNC	144 (195)	266 (360)	376 (509)
1-1/8	3/4 - 16 UNF	192 (260)	297 (402)	420 (569)
1-5/16	7/8 - 9 UNC	166 (225)	430 (583)	606 (821)
1-5/16	7/8 - 14 UNF	184 (249)	474 (642)	668 (905)
1-1/2	1 - 8 UNC	250 (339)	644 (873)	909 (1232)
1-1/2	1 - 12 UNF	274 (371)	705 (955)	995 (1348)
1-1/2	1 - 14 UNF	280 (379)	721 (977)	1019 (1381)
1-11/16	1-1/8 - 7 UNC	354 (480)	795 (1077)	1288(1745)
1-11/16	1-1/8 - 12 UNF	397 (538)	890 (1206)	1444 (1957)
1-7/8	1-1/4 - 7 UNC	500 (678)	1120 (1518)	1817 (2462)
1-7/8	1-1/4 - 12 UNF	553 (749)	1241 (1682)	2013 (2728)
2-1/16	1-3/8 - 6 UNC	655 (887)	1470 (1992)	2382 (3228)
2-1/16	1-3/8 - 12 UNF	746 (1011)	1672 (2266)	2712 (3675)
2-1/4	1-1/2 - 6 UNC	870 (1179)	1950 (2642)	3161 (4283)
2-1/4	1-1/2 - 12 UNF	979 (1327)	2194 (2973)	3557 (4820)

METRIC



Numbers appearing on bolt heads indicate ASTM class.

Proper torque for metric fasteners used on Peco equipment.
Recommended torque in foot pounds (newton Meters).*

WRENCH SIZE (mm) "A"	BOLT DIA. (mm) "B"	ASTM 4.6	ASTM 8.8	ASTM 9.8	ASTM 10.9
8	5	1.8 (2.4)		5.1 (6.9)	6.5 (8.8)
10	6	3 (4)		8.7 (12)	11.1 (15)
13	8	7.3 (10)		21.1 (29)	27 (37)
16	10	14.5 (20)		42 (57)	53 (72)
18	12	25 (34)	74 (100)	73 (99)	93 (126)
21	14	40 (54)	118 (160)	116 (157)	148 (201)
24	16	62 (84)	167 (226)	181 (245)	230 (312)
30	20	122 (165)	325 (440)		449 (608)
33	22		443 (600)		611 (828)
36	24	211 (286)	563 (763)		778 (1054)
41	27		821 (1112)		1138 (1542)
46	30	418 (566)	1119 (1516)		1547 (2096)

*Use 75% of the specified torque value for plated fasteners. Use 85% of the specified torque values for lubricated fasteners.

Troubleshooting

2017 (v1.0)

Collection System Performance

Problem	Possible Cause	Corrective Action
Abnormal Vibration	<ul style="list-style-type: none"> • Cutting blades are bent or unbalanced • Loose blower pulley or pulley assembly • Impeller blade out of balance 	<ul style="list-style-type: none"> • Install new cutting blade • Tighten the pulley • Contact dealer to replace
Reduced collection system performance	<ul style="list-style-type: none"> • Low engine speed • Plugged screen • Loose belt • Full collection bags 	<ul style="list-style-type: none"> • Always operate collection system at full throttle • Remove debris, leaves, or grass clippings from the screen • Replace/tighten belt • Empty the collection bags
Blower and hoses plugging too frequently	<ul style="list-style-type: none"> • Collection bags are too full • Low engine speed • Grass is too wet • Grass is too long • Ground speed is too fast • Worn belt • Loose belt 	<ul style="list-style-type: none"> • Dump more frequently • Always operate collection system at full throttle • Cut grass when it is dry • Cut the grass several times • Drive slower at full throttle • Replace belt • Adjust the pulley and tighten belts
Debris blowout	<ul style="list-style-type: none"> • Collection bags are too full • Plug/clog in the collection system • Ground speed is too fast 	<ul style="list-style-type: none"> • Dump more frequently • Clean the collection system • Drive more slowly at full throttle
Impeller doesn't rotate freely	<ul style="list-style-type: none"> • Plug in the blower housing • Worn impeller blade • Shaft bearings bad/failing 	<ul style="list-style-type: none"> • Clean the blower housing • Contact dealer to replace • Contact dealer to replace



New PECO, Inc.
10 Walden Dr | Arden, North Carolina 28704
Phone: 1-800-438-5823 | 828-684-1234
Fax: 828-684-0858
Email: peco@lawnvac.com
Website: www.lawnvac.com