



Unit Model #: 38651202

Mower: Dixie Chopper Eagle HP / Jacobsen ZT1000

Owner's Manual: Q0578

Mower Type:

Deck Size: 60", 66" & 72"

Vac Type: (12 Cu-Ft) Pro 12 DFS

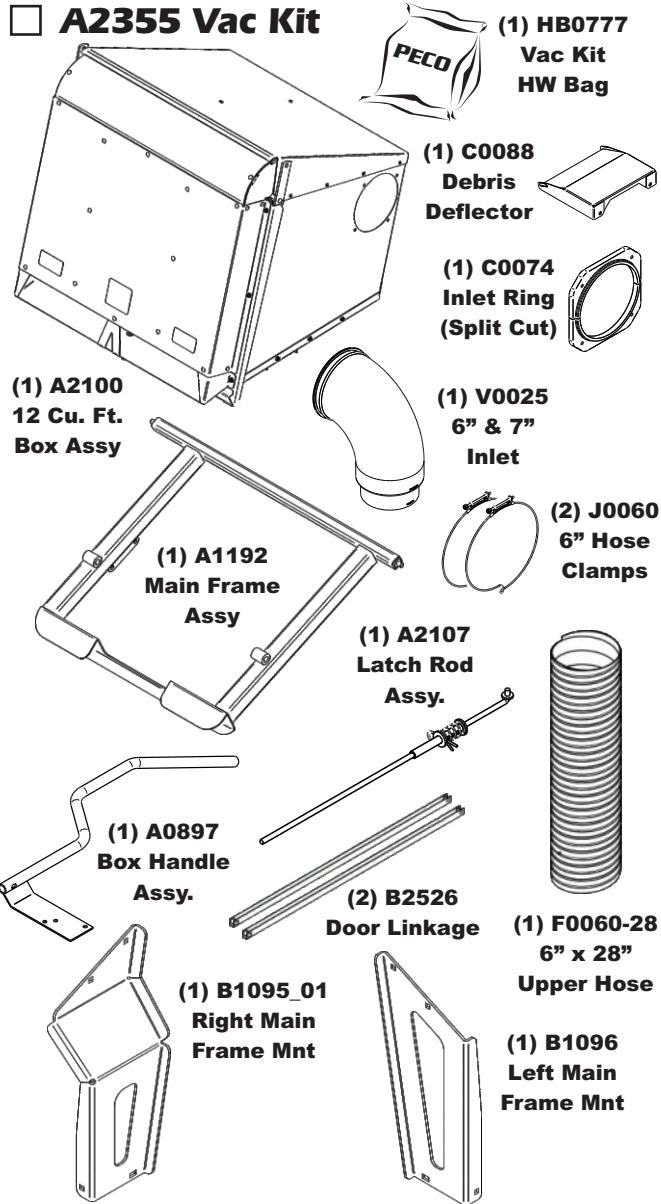
Deck Type:

Drive Type: PTO-X Drive

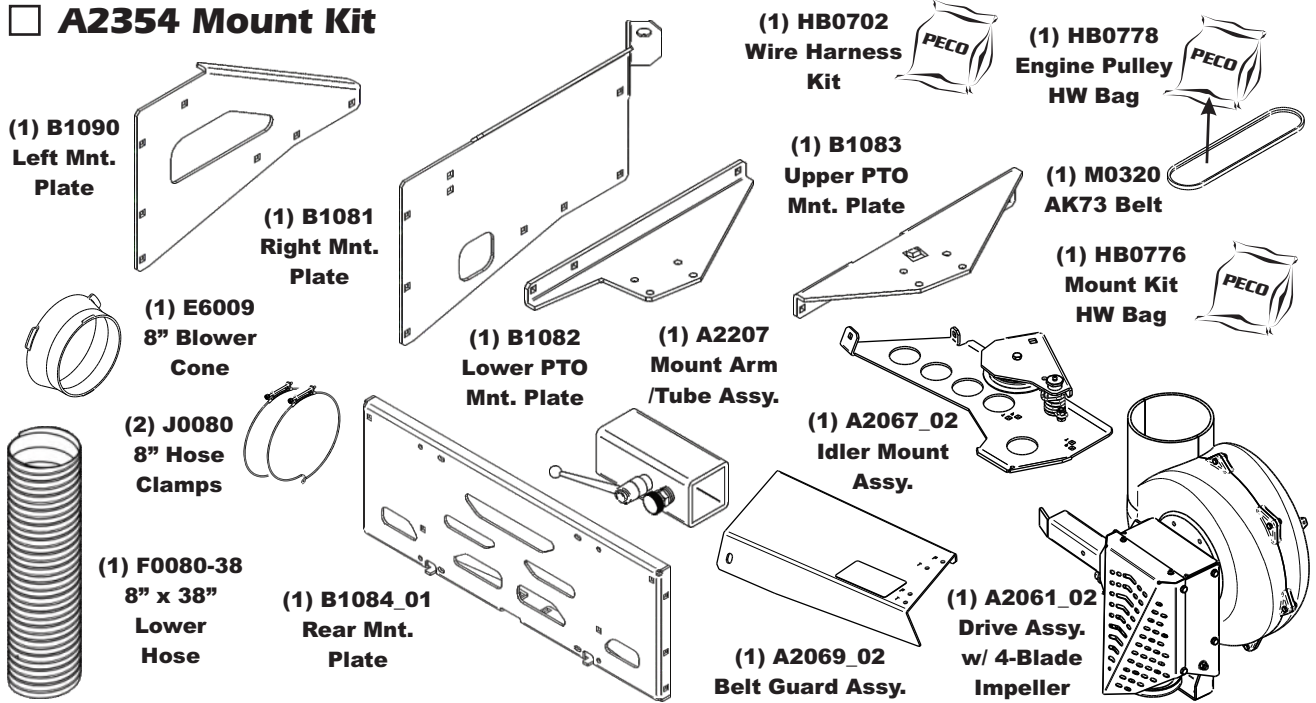
Revision #: 0

Fits Year(s): 2018 - 2020

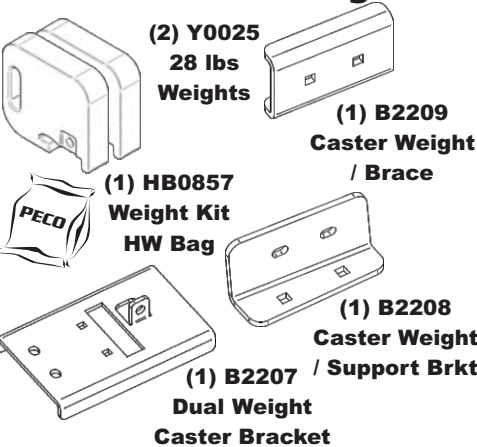
A2355 Vac Kit



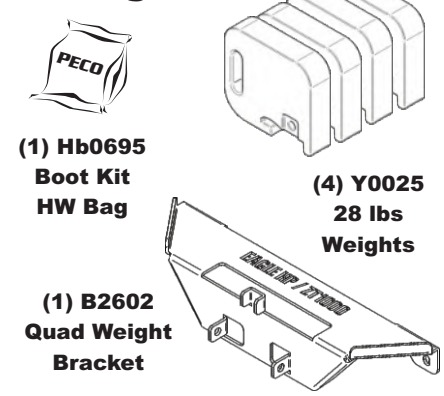
A2354 Mount Kit



A2375 Dual Weight Kit



A2376 Quad Weight Kit



A2130 Boot Kit

