



Unit Model #: 38131511

Mower: Dixie Chopper Eagle HP / Jacobsen ZT1000

Owner's Manual: Q0587

Mower Type:

Deck Size: 72"

Vac Type: (15 Cu-Ft) Pro 3B

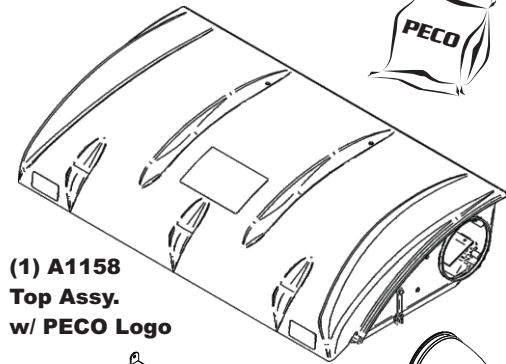
Deck Type:

Drive Type: PTO-X Drive

Revision #: 0

Fits Year(s): 2021 - Newer

A2394 Vac Kit



(1) A1158
Top Assy.
w/ PECO Logo



(1) HB0683
Vac Kit
HW Bag

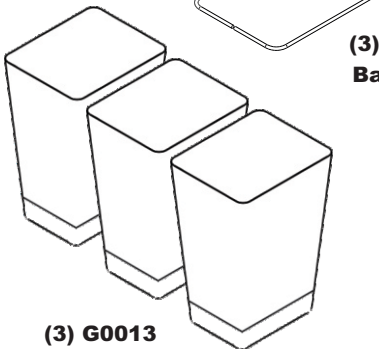


(2) J0060
6" Hose
Clamps



(1) V0025
6" & 7"
Inlet

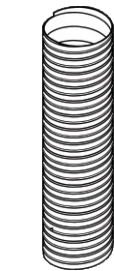
(1) A2068
Upper
Frame Assy.



(3) G0013
4 Cu. Ft.
Collection Bags
w/out Labels

(2) B0640
Lwr. Mnt.
Tubes (29")

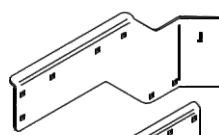
(3) B0227
Bag Ring



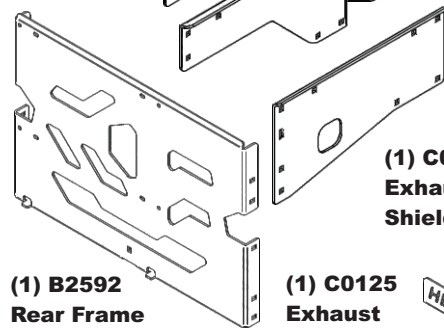
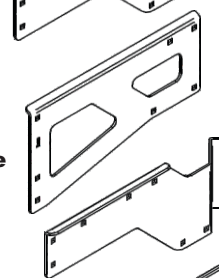
(1) F0060-24
6" x 26"
Upper Hose

A2393 Mount Kit

(1) B2596
Left / Top
Frame
Bracket

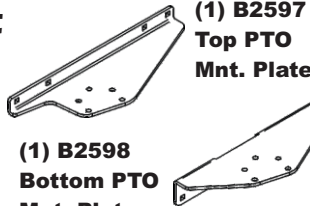


(1) B2594
Left Frame
Bracket



(1) B2592
Rear Frame
Bracket

(1) B2598
Bottom PTO
Mnt. Plate



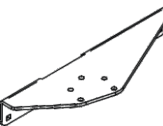
(1) B2595
Right / Top
Frame Bracket

(1) B2593
Right Frame
Bracket

(1) C0124
Exhaust
Shield / Top

(1) C0125
Exhaust
Shield / Bottom

(1) B2597
Top PTO
Mnt. Plate



(1) A2207
Mount Arm
/Tube Assy.



(1) F0080-48
8" x 48"
Lower Hose

(2) J0080
8" Hose
Clamps

(1) A2069_02
Belt Guard
Assy.

(1) A2067_02
Idler Mount Assy.



(1) HB0862
Mount Kit
HW Bag

(1) HB0863
Engine Pulley
HW Bag

(1) M0313
AK79 Belt

(1) HB0864
Wire Harness
Kit

(1) B2601
Switch Mount
Bracket

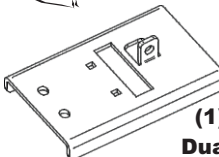
(1) E6009
8" Blower
Cone

(1) A2061_02
Drive Assy.
w/ 4-Blade
Impeller

A2375 Dual Weight Kit

(2) Y0025
28 lbs
Weights

(1) HB0857
Weight Kit
HW Bag



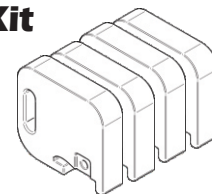
(1) B2208
Caster Weight
/ Support Brkt

(1) B2209
Caster Weight
/ Brace

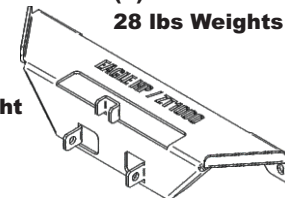
A2376 Quad Weight Kit

(1) HB0695
Boot Kit HW Bag

(1) B2602
Quad Weight
Bracket



(4) Y0025
28 lbs Weights



A2130 Boot Kit

(1) E0033A
8" Boot
W/ Decal

(1) HB0694
Boot Kit
HW Bag

(1) B0990
Boot Adapter

(1) B0988
Boot Plate

